

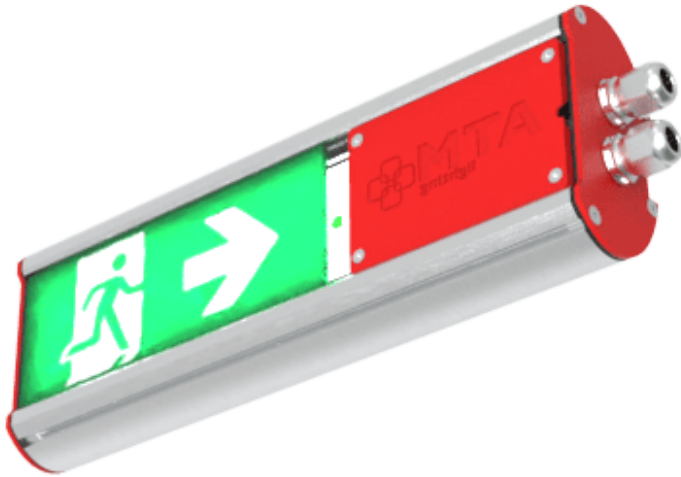


**Hazardous**  
Lighting Solutions LTD



# EX-IT400LED

*Explosionproof light fitting with LED modules*



FUEL TANKS



CHEMICAL WAREHOUSES



PASSAGEWAYS



CHEMICAL



REFINERIES



## STANDARD VERSION:



II 3G Ex ec IIC T6/T5 Gc  
II 2D Ex tb IIIC T75°C/T100°C Db

## HIGH TEMPS:



II 3G Ex ec IIC T6/T5 Gc  
II 3D Ex tc IIIC T75°C/T100°C Dc

## MECHANICAL FEATURES

**Housing:** Anodized aluminium

**Diffuser:** Tempered glass, polycarbonate, PMMA

**Ingress protection:** IP66/IP67

**Protection class:** I

**Accessibility:** Revision cover

**Shock resistance:** GL: IK09 PC: IK10

## ELECTRICAL FEATURES

**Connection terminals:** 2,5mm<sup>2</sup>

**Input voltage:** 220-240V 50-60Hz 220-240V 0Hz,

**Light source:** Certified LED modules

**Power factor:** >0,97

**Cable inlets:** Ø20 or Ø25

**Overvoltage protection:** 1kV (L-N), 2kV (L-PE)

## WORK PARAMETERS

**Ambient Temperatures:** -40°C to + 60°C

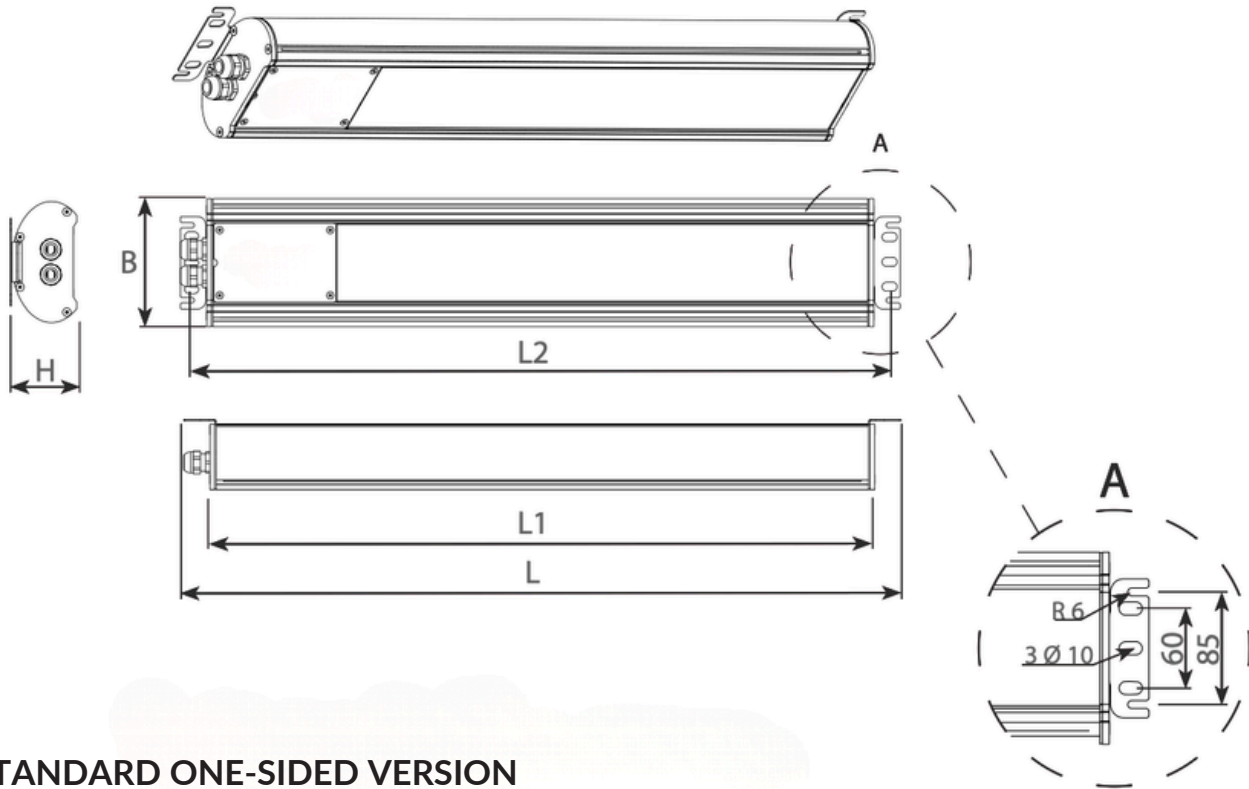
**Lifetime:** >70.000h L80 B10

## PHOTOMETRICAL PARAMETERS

**CRI:** >80

**Colour temperature:** 4000K, 6500K-option

## DIMENSIONS



### STANDARD ONE-SIDED VERSION

TYPE	L	L1	L2	H	B	Weight (kg)
EX-IT400LED-0300	549	475	515	75	145	~3.3
EX-IT400LED-0600	829	755	795	75	145	~4.7
EX-IT400LED-1200	1389	1315	1355	75	145	~7.5
EX-IT400LED-1500	1669	1595	1635	75	145	~9.2

### EMERGENCY ONE-SIDED VERSION

TYPE	L	L1	L2	H	B	Weight (kg)
EX-IT400LED-0300---A3S	599	525	565	75	145	~3.8
EX-IT400LED-0600---A3S	879	805	845	75	145	~5.2
EX-IT400LED-1200---A3S	1439	1365	1405	75	145	~8.0
EX-IT400LED-1500---A3S	1719	1645	1685	75	145	~9.7

## MAXIMUM NUMBER OF LINEARLY CONNECTED LUMINAIRES

MAXIMUM NUMBER OF LINE CONNECTED LUMINAIRES DEPENDING ON THE CIRCUIT BREAKERS USED

### 35E (1/2kV)

Type	B16	C16	Max. starting current	Starting time
EX-IT400LED-1200-E8-3	6	11	54 A	< 125 $\mu$ s
EX-IT400LED-1500-E10-1	6	11	54 A	< 125 $\mu$ s
Other	12	21	54 A	< 125 $\mu$ s

### 35E (4/4kV)

Type	B16	C16	Max. starting current	Starting time
EX-IT400LED-0300	-	-	-	-
EX-IT400LED-1500-E10-1	16	27	5 A	< 1000 $\mu$ s
Other	32	53	5 A	< 1000 $\mu$ s

### 34E (1/2kV)

Type	B16	C16	Max. starting current	Starting time
EX-IT400LED-1200-E8-3	6	11	64 A	< 125 $\mu$ s
EX-IT400LED-1500-E10-1	6	11	64 A	< 125 $\mu$ s
Other	12	21	64 A	< 125 $\mu$ s

## TYPES COMPARISON

**LUMINAIRES FOR AMBIENT TEMPERATURE +45°C (TA=45°C)** II 3G Ex ec IIC T5 Gc  
II 3D Ex tc IIIC T100°C Dc

**LUMINAIRES FOR AMBIENT TEMPERATURE +60°C (TA=60°C)** II 3G Ex ec IIC T6 Gc  
II 2D Ex tb IIIC T75°C Db

## NARROW BEAM OPTICS - NB

TYPE	LUMINOUS FLUX (lm)	POWER CONSUMPTION (W)	EFFICIENCY (lm/W)	MAX. TEMP. / TEMP. CLASS
EX-IT400LED-0300-E1-2	1,462	11	133	+45°C / T6 or +60°C / T5
EX-IT400LED-0300-E2-1	2,500	16.9	148	+45°C / T6 or +60°C / T5
EX-IT400LED-0600-E2-2	2,942	22.1	133	+45°C / T6 or +60°C / T5
EX-IT400LED-0600-E2-3	3,379	25.3	134	+45°C / T6 or +60°C / T5
EX-IT400LED-0600-E4-1	5,055	32	158	+45°C / T6 or +60°C / T5
EX-IT400LED-0600-E4-2	5,904	40.9	144	+45°C / T6 or +60°C / T5
EX-IT400LED-1200-E4-2	5,609	40.9	137	+45°C / T6 or +60°C / T5
EX-IT400LED-1200-E4-3	6,803	47.3	144	+45°C / T6 or +60°C / T5
EX-IT400LED-1200-E8-1	10,034	62.4	161	+45°C / T6 or +60°C / T5
EX-IT400LED-1200-E8-2	11,732	79.7	147	+45°C / T6 or +60°C / T5
EX-IT400LED-1200-E8-3	13,487	91.3	148	+45°C / T6 or +60°C / T5
EX-IT400LED-1500-E5-2	7,592	50.7	150	+45°C / T6 or +60°C / T5
EX-IT400LED-1500-E5-3	8,695	59	147	+45°C / T6 or +60°C / T5
EX-IT400LED-1500-E10-1	11,601	78.6	148	+45°C / T6 or +60°C / T5

## TYPES COMPARISON

### WIDE BEAM OPTICS - WB

TYPE	LUMINOUS FLUX (lm)	POWER CONSUMPTION (W)	EFFICIENCY (lm/W)	MAX. TEMP. / TEMP. CLASS
EX-IT400LED-0300-E1-2	1413	11	128	+45°C / T6 or +60°C / T5
EX-IT400LED-0300-E2-1	2416	16.9	143	+45°C / T6 or +60°C / T5
EX-IT400LED-0600-E2-2	2844	22.1	129	+45°C / T6 or +60°C / T5
EX-IT400LED-0600-E2-3	3266	25.3	129	+45°C / T6 or +60°C / T5
EX-IT400LED-0600-E4-1	4973	32	155	+45°C / T6 or +60°C / T5
EX-IT400LED-0600-E4-2	5808	40.9	142	+45°C / T6 or +60°C / T5
EX-IT400LED-1200-E4-2	5518	40.9	135	+45°C / T6 or +60°C / T5
EX-IT400LED-1200-E4-3	6692	47.3	141	+45°C / T6 or +60°C / T5
EX-IT400LED-1200-E8-1	9872	62.4	158	+45°C / T6 or +60°C / T5
EX-IT400LED-1200-E8-2	11542	79.7	145	+45°C / T6 or +60°C / T5
EX-IT400LED-1200-E8-3	13269	91.3	145	+45°C / T6 or +60°C / T5
EX-IT400LED-1500-E5-2	7352	50.7	145	+45°C / T6 or +60°C / T5
EX-IT400LED-1500-E5-3	8420	59	143	+45°C / T6 or +60°C / T5
EX-IT400LED-1500-E10-1	11234	78.6	143	+45°C / T6 or +60°C / T5

## TYPES COMPARISON

LUMINAIRES FOR AMBIENT TEMPERATURE +45°C (TA=45°C) II 3G Ex ec IIC T6 Gc  
 II 2D Ex tb IIIC T75°C Db

LUMINAIRES FOR AMBIENT TEMPERATURE +50°C (TA=60°C) II 3G Ex ec IIC T5 Gc  
 II 2D Ex tb IIIC T100°C Dc

### NARROW BEAM OPTICS NB - power supply 24VDC

TYPE	LUMINOUS FLUX (lm)	POWER CONSUMPTION (W)	EFFICIENCY (lm/W)	MAX. TEMP. / TEMP. CLASS
EX-IT400LED-0300-I1	1,646	13.2	125	+45°C / T6 lub +50°C / T5
EX-IT400LED-0300-I2	3,293	28.4	116	+45°C / T6 lub +50°C / T5
EX-IT400LED-0600-I2	3,315	28.4	117	+45°C / T6 lub +50°C / T5
EX-IT400LED-0600-I4	6,513	52.8	123	+45°C / T6 lub +50°C / T5
EX-IT400LED-1200-I4	6,191	52.8	117	+45°C / T6 lub +50°C / T5
EX-IT400LED-1200-I8	12,380	105.6	117	+45°C / T6 lub +50°C / T5
EX-IT400LED-1500-I5	7,862	66	119	+45°C / T6 lub +50°C / T5
EX-IT400LED-1500-I10	15,722	132	119	+45°C / T6 lub +50°C / T5

### WIDE BEAM OPTICS WB - power supply 24VDC

TYPE	LUMINOUS FLUX (lm)	POWER CONSUMPTION (W)	EFFICIENCY (lm/W)	MAX. TEMP. / TEMP. CLASS
EX-IT400LED-0300-I1	1591	13.2	121	+45°C / T6 or +50°C / T5
EX-IT400LED-0300-I2	3182	28.4	112	+45°C / T6 or +50°C / T5
EX-IT400LED-0600-I2	3204	28.4	113	+45°C / T6 or +50°C / T5
EX-IT400LED-0600-I4	6408	52.8	121	+45°C / T6 or +50°C / T5
EX-IT400LED-1200-I4	6090	52.8	115	+45°C / T6 or +50°C / T5
EX-IT400LED-1200-I8	12180	105.6	115	+45°C / T6 or +50°C / T5
EX-IT400LED-1500-I5	7613	66	115	+45°C / T6 or +50°C / T5
EX-IT400LED-1500-I10	15225	132	115	+45°C / T6 or +50°C / T5

## EMERGENCY VERSIONS

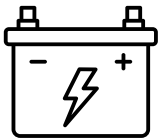


3H

**34E** Version with 3h emergency power module

The luminaire can operate in temperature range from -20oC to +45oC. The battery charging is not available below 0°C.

A3 luminaire type	Mean emergency luminous flux (lm)	Max. ambient temp. (°C)
EX-IT400LED-0300---A3	584-799	45
EX-IT400LED-0600---A3	719-806	45
EX-IT400LED-1200---A3	730-803	45
EX-IT400LED-1500---A3	716-808	45



**35E** Version adapted to be powered from central battery

In the emergency version powered by a central battery (ZB), the standard luminous flux is 50% of the reference value (check types comparison), but can be increased upon the Customer's request.

ZB luminaire type	Mean emergency luminous flux (lm)	Max. ambient temp. (°C)
EX-IT400LED-0300---ZB	50%	45 / 60
EX-IT400LED-0600---ZB	50%	45 / 60
EX-IT400LED-1200---ZB	50%	45 / 60
EX-IT400LED-1500---ZB	50%	45 / 60

## VERSION WITH A PICTOGRAM

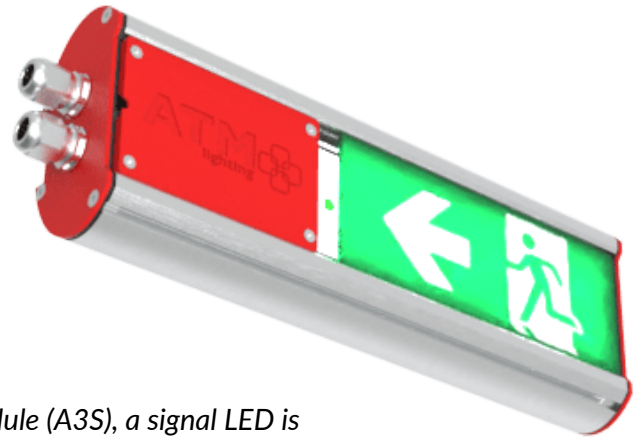
**Pictogram dimensions:** 320x85mm [LxB]

**Brightness:** >200 cd/m<sup>2</sup>

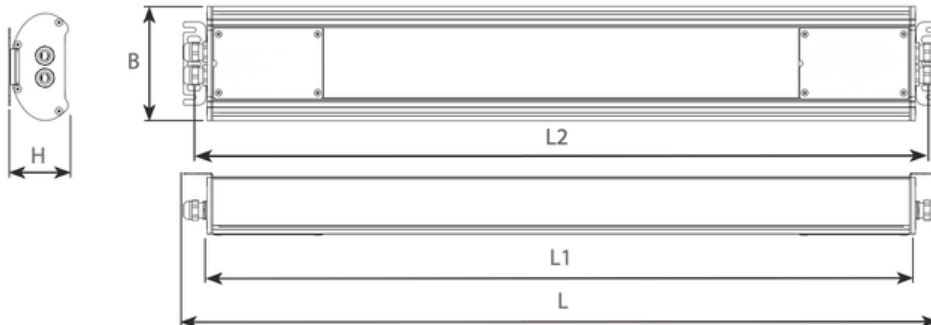
The version with pictogram can only be selected for the 0300-E2-1 luminaire type.

*Special order pictograms available for large orders.*

*In the case of the version with an emergency power supply module (A3S), a signal LED is visible next to the pictogram.*



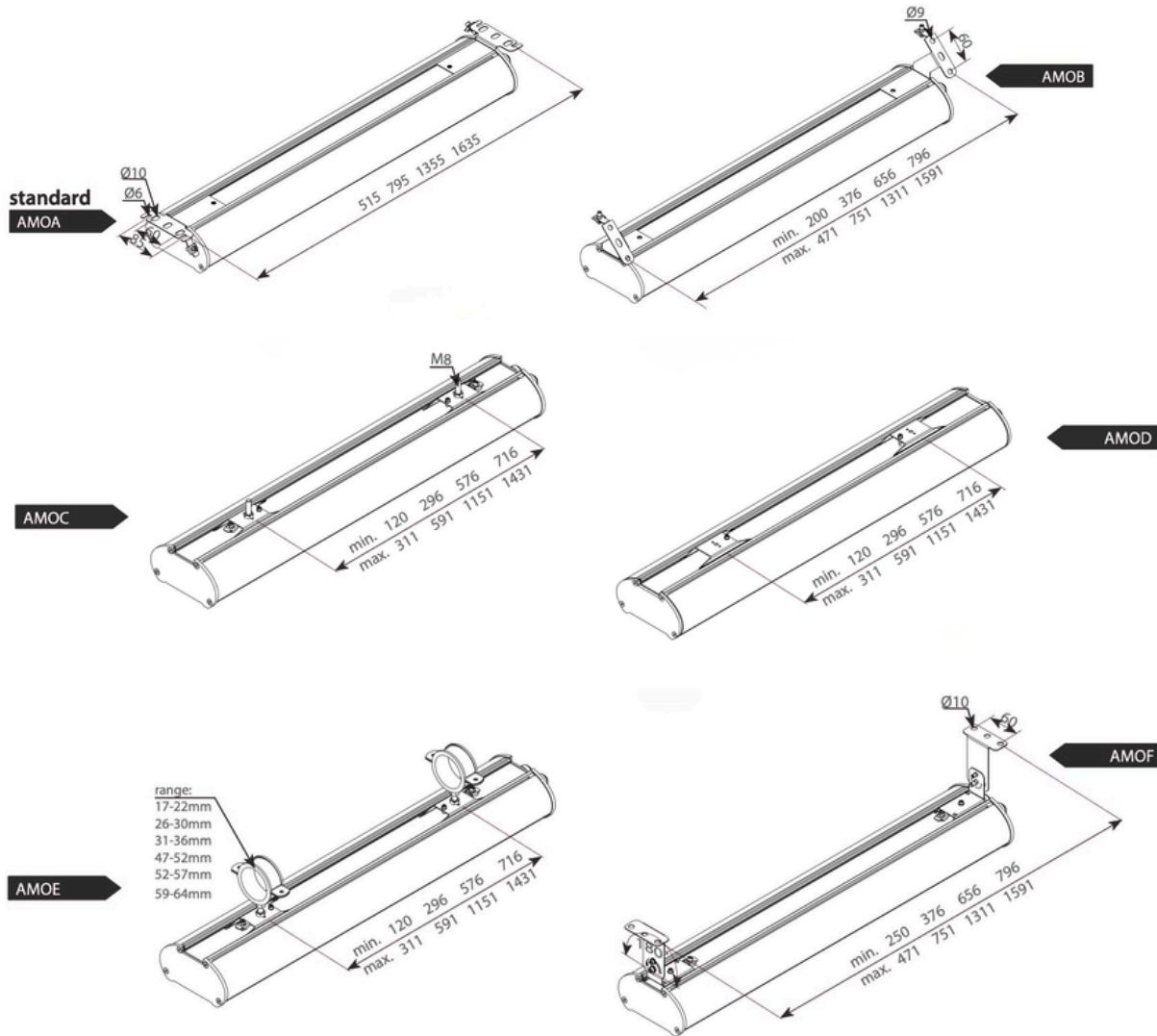
## TWO SIDED VERSION



TYPE	L	L1	L2	H	B	Weight (kg)
EX-IT400LED-0300	719	615	685	75	145	~5.0
EX-IT400LED-0600	999	895	965	75	145	~7.0
EX-IT400LED-1200	1559	1455	1525	75	145	~9.5
EX-IT400LED-1500	1839	1735	1805	75	145	~11.0

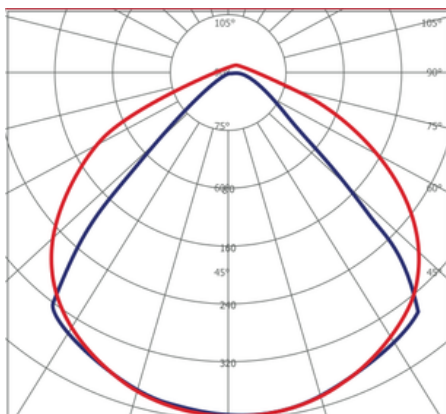
TYPE	L	L1	L2	H	B	Weight (kg)
EX-IT400LED-0300---A3S	789	685	755	75	145	~6.0
EX-IT400LED-0600---A3S	1069	965	1035	75	145	~7.0
EX-IT400LED-1200---A3S	1629	1525	1595	75	145	~10.0
EX-IT400LED-1500---A3S	1909	1805	1875	75	145	~12.0

## MOUNTING



## PHOTOMETRY

WB



NB

