



Hazardous
Lighting Solutions LTD



EXF450LED

Explosion-proof floodlight with LED modules with very high luminous flux



II 2G Ex eb mb IIC T4...T5 Gb
II 2D Ex tb IIIC T80°C...T115°C Db



OFFSHORE



CHEMICAL
WAREHOUSES



CHEMICAL



REFINERIES



GL
IK09



ZONE
1,21 & 2,22



IP66



IP67



-40°C



+60°C



UP TO 121
lm/W



PROTECTION
GRID



VENT PLUG

MECHANICAL FEATURES

Housing: Anodized aluminum

Diffuser: Tempered glass

Ingress protection: IP66, IP67

Protection class: I

Shock resistance (GL): IK09

Mounting: On the bracket

Mounting accessories: Check mountings

Optional accessories: Protection grid

Wires between the fitting modules: High temperature resistant silicone wires.

ELECTRICAL FEATURES

Connection terminals: 2,5mm² | 6,0mm²-optional

Input voltage: 100-277 V, 50-60 Hz voltage + 10%

Light source: Intrinsically safe LED modules

Power factor: >0,98

Cable inlets: Ø20, Ø25

Overvoltage protection: 24E: L-N 6kV, L-PE 10kV

WORK PARAMETERS

Ambient Temperatures: -40°C up to +65°C

Lifetime: >50.000h L80 B10 |
>70.000h L70 B10

PHOTOMETRICAL PARAMETERS

CRI: >80, >90 optionally

Colour temperature: 4000k, 6000k

Light pulsation: SVM<0,01 | acc. with IEC TR 61547-1:2020

Flicker indicator: PstLM <0,3 \ acc. with IEC TR 61547-1:2020

TYPES COMPARISON

Type of the Fitting	Luminous Flux (lm)	Power Consumption (W)	Efficiency (lm/W)	Ambient Temperature (°C)	Temp. Class / Max. Ambient Temperature
EXF450LED-EY2-1	12,500	103	121	-40°C to +60°C-40°C to +50°C	T4 / T90°C T5 / T80°C
EXF450LED-EY2-2	17,500	158	111	-40°C to +50°C	T4 / T95°C
EXF450LED-EY3-1	19,000	160	119	-40°C to +55°C-40°C to +50°C	T4 / T85°C T5 / T80°C
EXF450LED-EY3-2	22,500	198	114	-40°C to +55°C-40°C to +45°C	T4 / T100°C T5 / T90°C
EXF450LED-EY3-3	26,100	238	110	-40°C to +55°C	T4 / T115°C
EXF450LED-EY4-1	25,000	207	121	-40°C to +55°C-40°C to +45°C	T4 / T90°C T5 / T80°C

*LUMINOUS FLEX IS INDICATED FOR LED MODULES CRI 80 AND STD OPTICS.

MAXIMAL NUMBER OF LUMINAIRES CONNECTED IN LINE

Luminous Flux	B16	C16	Max. Starting Current	Starting Time
EXF450LED-EY2-1	6	11	112A	<140 µs
EXF450LED-EY2-2	3	6	177A	<140 µs
EXF450LED-EY3-1	3	6	177A	<140 µs
EXF450LED-EY3-2	4	7	171A	<140 µs
EXF450LED-EY3-3	4	7	171A	<140 µs
EXF450LED-EY4-1	4	7	171A	<140 µs

ABOVE VALUES ARE INDICATED FOR THE POWER SUPPLY VOLTAGE 230 VAC.

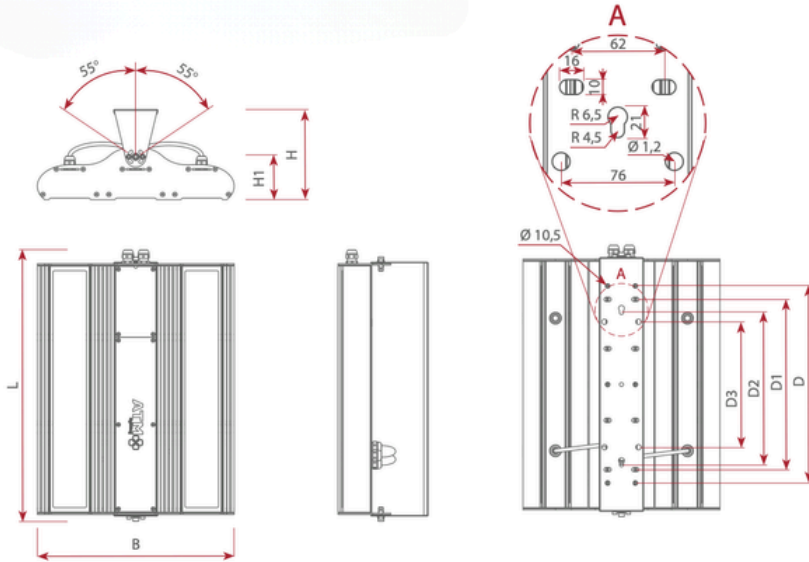
OPTIONAL VERSION

3F

3-PHASE POWER SUPPLY: OPTIONAL VERSION ADAPTED TO 3-PHASE POWER SUPPLY

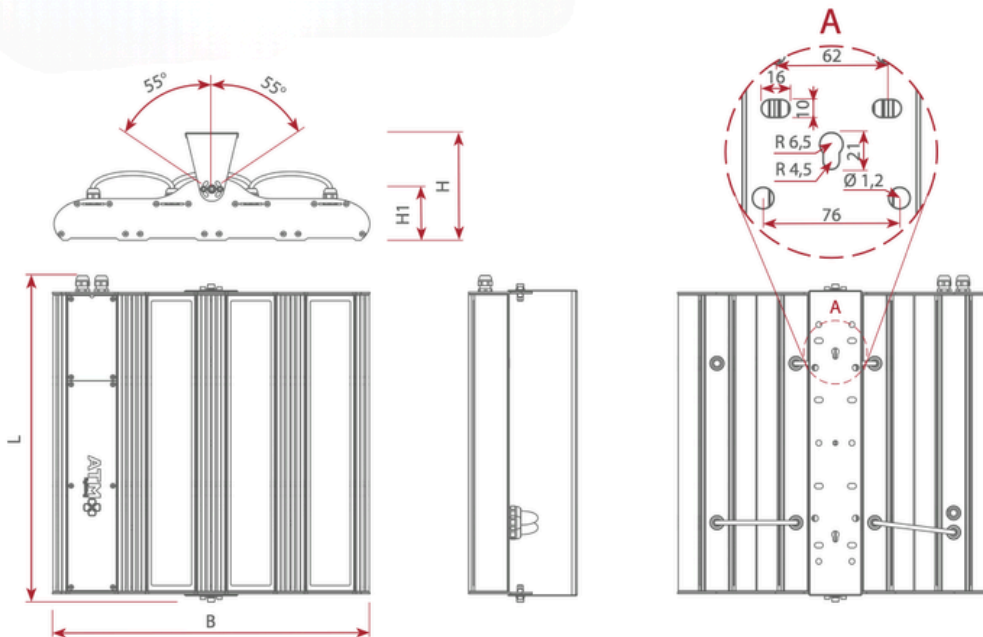
DIMENSIONS

VERSION EY2- standard bracket AMO90



TYP	L	B	H	H1	D	D1	D2	D3	Weight
EXF450LED-EY2	656	435	202	97	490	430	390	330	11 kg

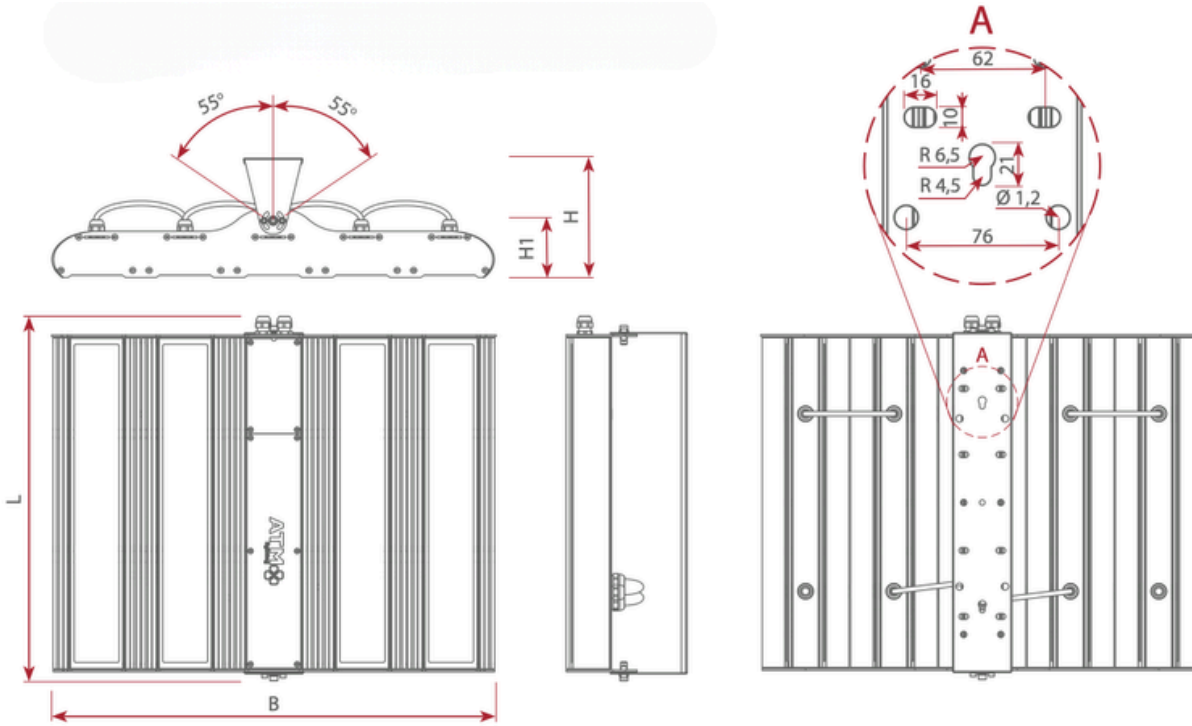
VERSION EY3- standard bracket AMO90



TYPE	L	B	H	H1	D	D1	D2	D3	Weight
EXF450LED-EY3	656	585	202	97	490	430	390	330	14 kg

DIMENSIONS

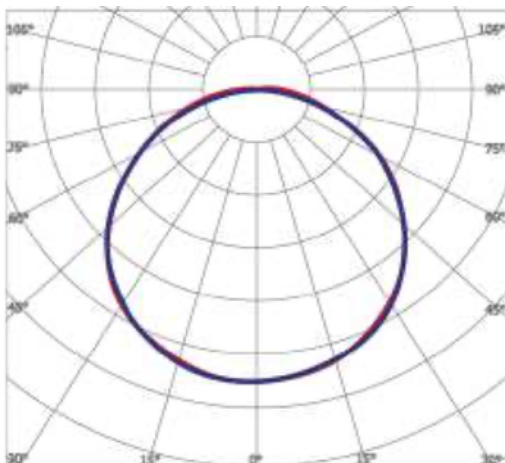
VERSION EY4- Standard bracket AMO90



TYPE	L	B	H	H1	D	D1	D2	D3	Weight
EXF450LED -EY3	656	585	202	97	490	430	390	330	14 kg

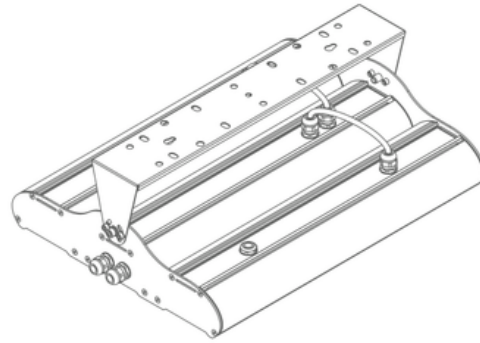
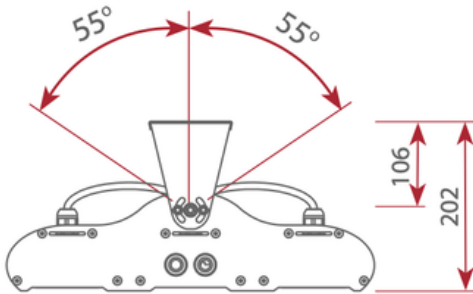
PHOTOMETRY

STD (Standard) No additional optics

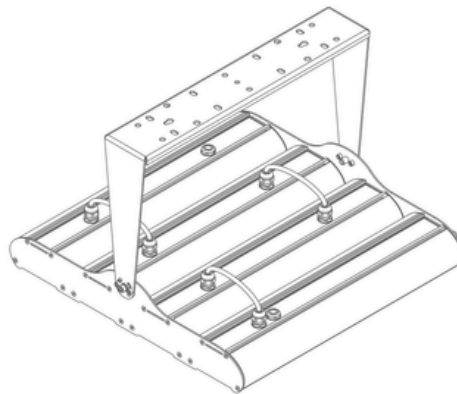
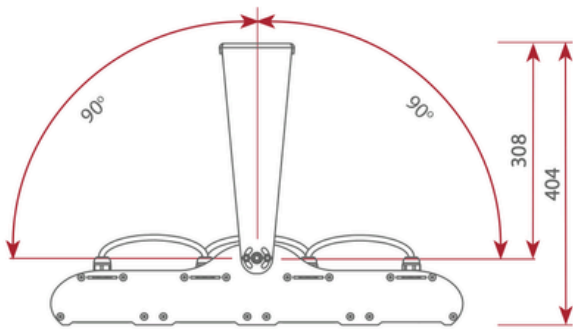


MOUNTING

AMO90- STANDARD



AMO180- OPTIONAL



AMO360- OPTIONAL

adaptable diameter
due to DIN 3750

