



Hazardous
Lighting Solutions LTD



EXL210LED

Explosionproof light fitting with
LED modules



FUEL HANDLING STATIONS



CHEMICAL WAREHOUSES



FUEL TANKS



CHEMICAL



REFINERIES



STANDARD AND ZB:



II 2G Ex eb mb op is IIC T5 Gb II 2D Ex tb op is IIIC T55°C Db or T70°C Db

A3, ZBC, ZBD:



II 3G Ex ec IIC T5 Gc II 2D Ex tb IIIC T60°C Db

ZBT, ZBS, ZBR, ZBH, ZBM:



II 3G Ex ec IIC T5 Gc II 3D Ex tC IIIC T60°C Dc

MECHANICAL FEATURES

Housing: Glass Fibre Reinforced Polyester (GRP)

Diffuser: UV Stabilised Polycarbonate

Ingress protection: IP66, IP67

Protection class: I

Mounting: on the surface with bracket

Impact Resistance: PC: IK08

ELECTRICAL FEATURES

Connection terminals: 2,5mm²

Input voltage: 35E: 220-240V 50-60Hz
220-240V 0Hz

Light source: Intrinsically safe LED modules

Power factor: >0,97

Cable inlets: Ø20

Overvoltage protection: 35E: 1 kV (L-N), 2 kV (L-PE) (4kV as an option)

WORK PARAMETERS

Ambient Temperatures: -40°C to + 45°C

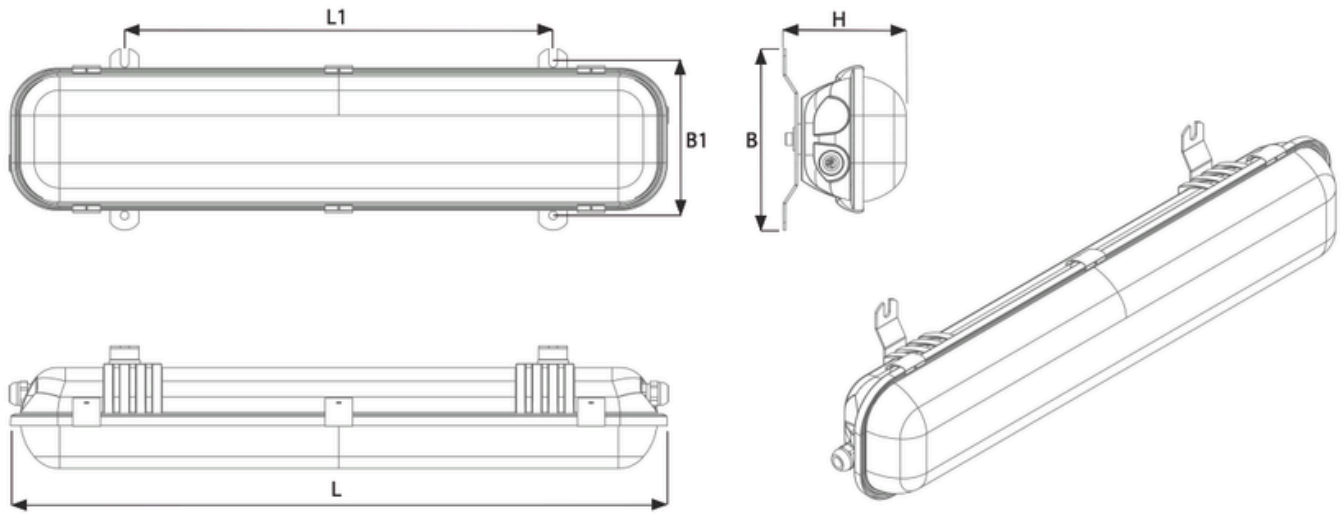
Lifetime: >70.000h L80 B10
>100.000h L70 B10

PHOTOMETRICAL PARAMETERS

CRI: >80

Colour temperature: 4000K

DIMENSIONS



TYPE	L (mm)	L1 (mm)	B (mm)	B1 (mm)	H (mm)	WEIGHT
EXL210LED-0600	700	450	190	160	129	~4.5 kg
EXL210LED-1200	1300	800	190	160	129	~7 kg
EXL210LED-1500	1600	1000	190	160	129	~8 kg

TYPE COMPARISON

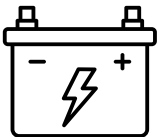
TYPE OF THE LIGHT FITTING	LUMINOUS FLUX (lm)	POWER CONSUMPTION (W)	EFFICIENCY (lm/W)	AMB. TEMP. (°C)
EXL210LED-0600-E2	2750	16.2	170	-40 ÷ +45
EXL210LED-0600-E4	5486	31.5	174	-40 ÷ +45
EXL210LED-1200-E4	6450	38	170	-40 ÷ +45
EXL210LED-1200-E8	10925	62.2	176	-40 ÷ +45
EXL210LED-1500-E6	8207	46.9	175	-40 ÷ +45

EMERGENCY VERSIONS MEAN EMERGENCY LUMINOUS FLUX

TYPE	VERSION A3 (lm)
EXL210LED-0600-E2	878
EXL210LED-0600-E4	875
EXL210LED-1200-E4	857
EXL210LED-1200-E8	874
EXL210LED-1500-E6	873



EMERGENCY POWER MODULE: Emergency power supply version A3. Possibility of operation in an environment with a temperature from -20°C to 45°C. Minimum ambient temperature during battery charging 0°C.



CENTRAL BATTERY: VERSION WITH A DRIVER FOR CENTRAL BATTERY

MAXIMUM NUMBER OF LUMINAIRES IN ONE LINE

MAXIMUM NUMBER OF LINE CONNECTED LUMINAIRES DEPENDING ON THE CIRCUIT BREAKERS USED

Voltage	B16	C16	Max. starting current	Starting time
35E	12	21	54 A	< 125 μs
34E	12	21	64 A	< 125 μs

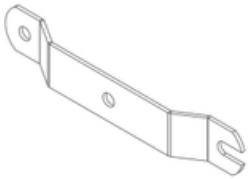
ADDITIONAL PICTOGRAM



Self-adhesive pictograms can be added to the order optionally.

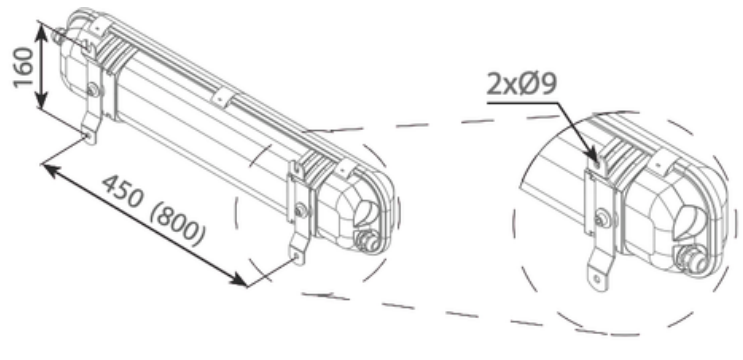


MOUNTINGS



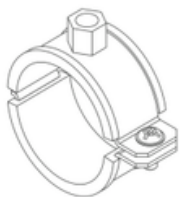
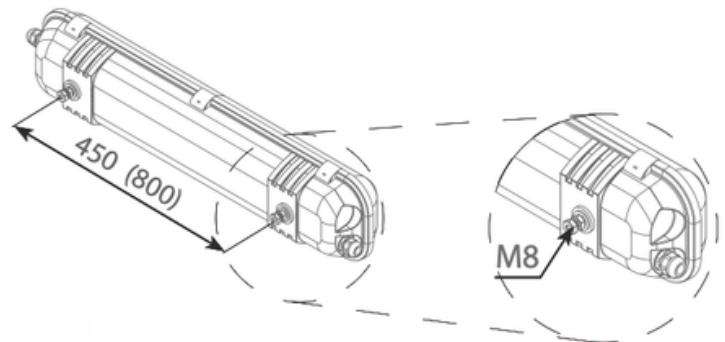
standard AMO1

standard mounting bracket
made of 1.5mm thick steel,
mounting hole spacing
160mm



BK

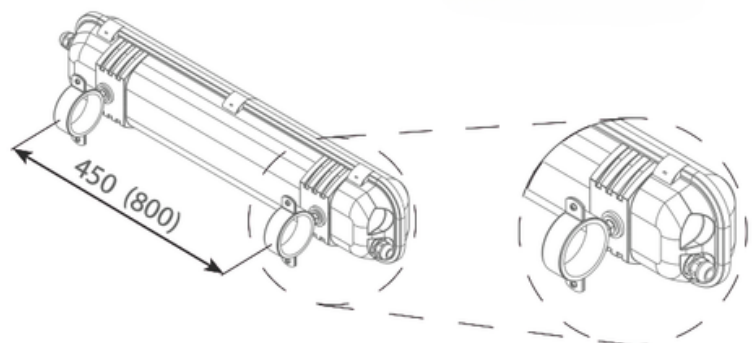
standard bolt kit made to
install the light fitting on the
thin surfaces or the cable trays



AMO3

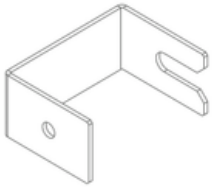
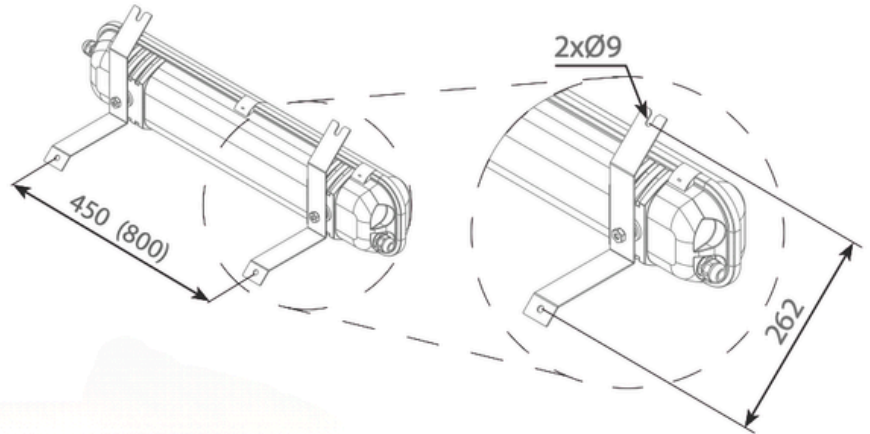
stainless steel pipe clamp:
AMO3A: 26-30mm,
AMO3B: 31-36mm,
AMO3C: 41-46mm,
AMO3D: 47-52mm,
AMO3E: 59-64mm

Please specify while ordering.

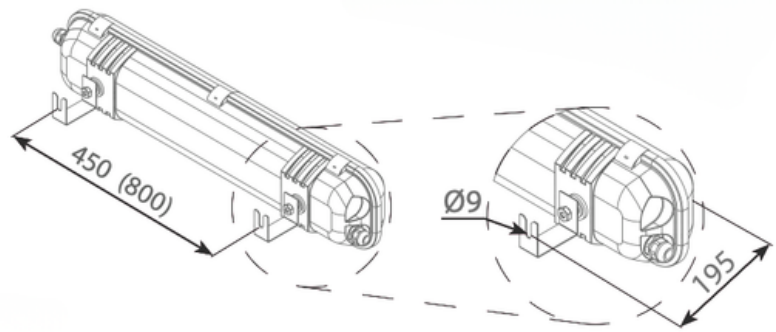




AM04
bracket for installation at 45°



AM05
68mm distance bracket



PHOTOMETRY

