

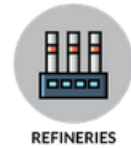


**Hazardous**  
Lighting Solutions LTD



# EXL380LED

*Explosionproof floodlight with  
LED modules*



**STANDARD  
VERSION:**



II 3G Ex ec op is IIC T4 Gc  
II 2D Ex tb op is IIIC T80°C Db

**CERTIFICATES:**

KDB 15ATEX0049X  
IECEX KDB 20.0003X



## MECHANICAL FEATURES

**Housing:** Powder-coated or brushed stainless steel

**Diffuser:** Tempered glass

**Ingress protection:** IP65

**Protection class:** I

**Mounting:** On bracket

**Impact Resistance:** IK08

## ELECTRICAL FEATURES

**Connection terminals:** 2,5mm<sup>2</sup>

**Input voltage:** 220-240V 50-60 Hz, 220-240V 0Hz

**Light source:** Intrinsically safe LED modules

**Power factor:** >0,97

**Cable inlets:** Ø20

**Overvoltage protection:** 6kV

## WORK PARAMETERS

**Ambient Temperatures:** -40°C to + 40°C

**Lifetime:** >70.000h L80 B10

## PHOTOMETRICAL PARAMETERS

**CRI:** >80

**Colour temperature:** 4000K

## TYPE COMPARISONS

### STANDARD VERSIONS

TYPE OF THE FITTING	LUMINOUS FLUX (lm)	POWER CONSUMPTION (W)	EFFICIENCY (lm/W)	AMBIENT TEMPERATURE (°C)
EXL380LED-045-E4	5006	35	143	-40 - +40
EXL380LED-090-E8	14106	93	152	-40 - +40
EXL380LED-130-E12	21370	146	146	-40 - +40

### NARROW BEAM VERSIONS (NB)

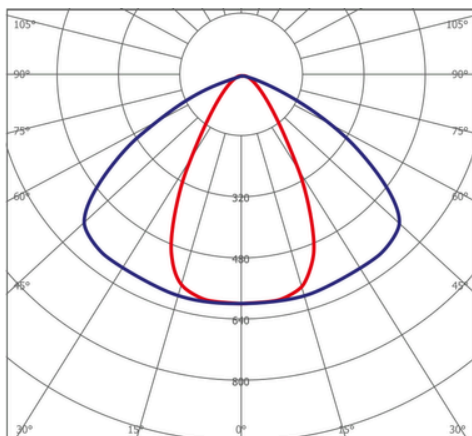
TYPE OF THE FITTING	LUMINOUS FLUX (lm)	POWER CONSUMPTION (W)	EFFICIENCY (lm/W)	AMBIENT TEMPERATURE (°C)
EXL380LED-045-E4	5060	35	145	-40 ÷ +40
EXL380LED-090-E8	14247	93	153	-40 ÷ +40
EXL380LED-130-E12	21584	146	148	-40 ÷ +40

## MAXIMAL NUMBER OF LUMINAIRES CONNECTED IN LINE

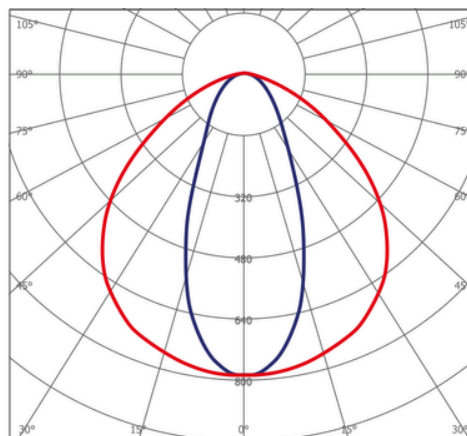
Power supply	B16	C16	Max. starting current	Starting time
35E	8	13	34 A	< 475 μs

## PHOTOMETRY

STANDARD



NARROW BEAM



## OPTIONAL VERSION

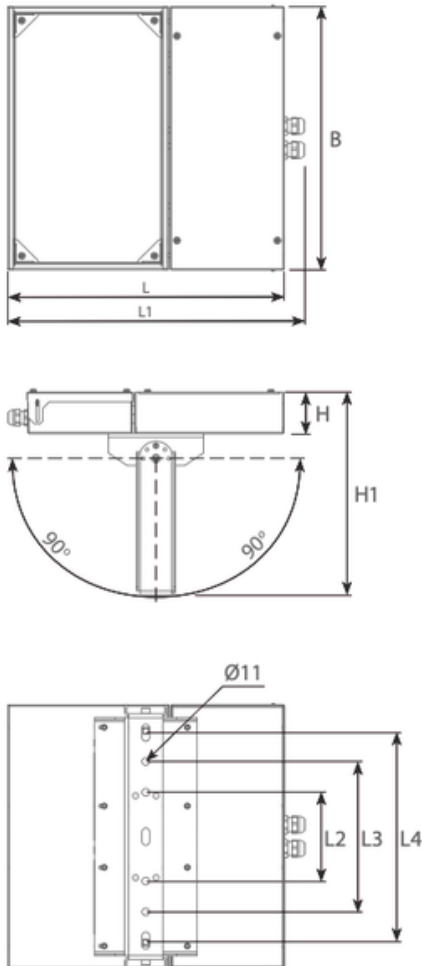
# 3F

**3-PHASE: VERSION WITH TERMINALS L1, L2, L3, PE, N POWERED FROM L AND N WITH VOLTAGE OF 230V**

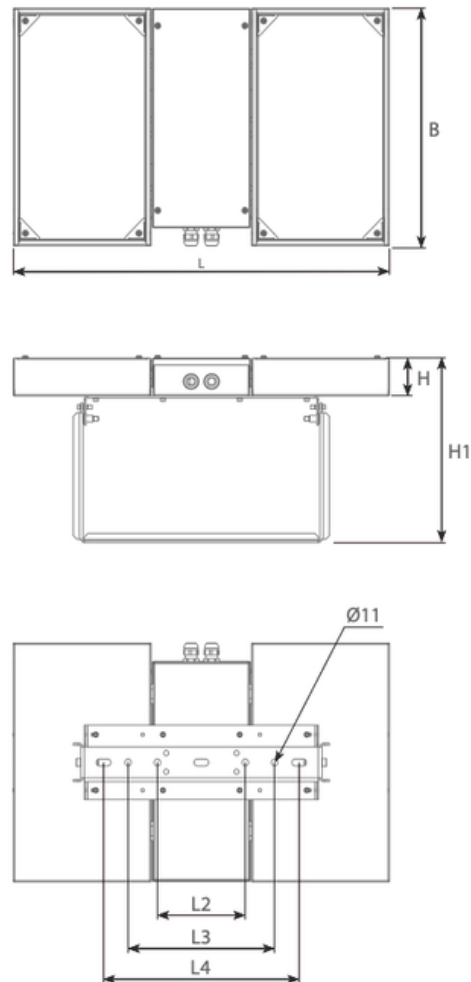


**DALI-2 DRIVER: VERSION EQUIPPED WITH DALI 2 DRIVER**

EXL380LED-045-E4  
single version



EXL380LED-090-E8, EXL380LED-130-E12  
double version



TYPE	L	L1	L2	L3	L4	B	H	H1	Weight
EXL380LED-045-E4	405	434	130	220	290	386	69	321	12 kg
EXL380LED-090-E8	642	-	150	250	335	386	69	321	16 kg
EXL380LED-130-E12	885	-	150	250	335	386	69	321	20 kg