



Hazardous
Lighting Solutions LTD



EXL400LED

Explosionproof light fitting with LED modules



FUEL TANKS



CHEMICAL WAREHOUSES



PASSAGEWAYS



CHEMICAL



REFINERIES



STANDARD VERSION:



II 3G Ex ec IIC T6/T5 Gc
II 2D Ex tb IIIC T75°C/T100°C Db

HIGH TEMPS:



II 3G Ex ec IIC T6/T5 Gc
II 3D Ex tc IIIC T75°C/T100°C Dc

MECHANICAL FEATURES

Housing: Anodized aluminium

Diffuser: Tempered glass, polycarbonate, PMMA

Ingress protection: IP66/IP67

Protection class: I

Accessibility: Revision cover

Shock resistance: GL: IK09 PC: IK10

ELECTRICAL FEATURES

Connection terminals: 2,5mm²

Input voltage: 220-240V 50-60Hz 220-240V 0Hz,

Light source: Certified LED modules

Power factor: >0,97

Cable inlets: Ø20 or Ø25

Overvoltage protection: 1kV (L-N), 2kV (L-PE)

WORK PARAMETERS

Ambient Temperatures: -40°C to + 60°C

Lifetime: >70.000h L80 B10

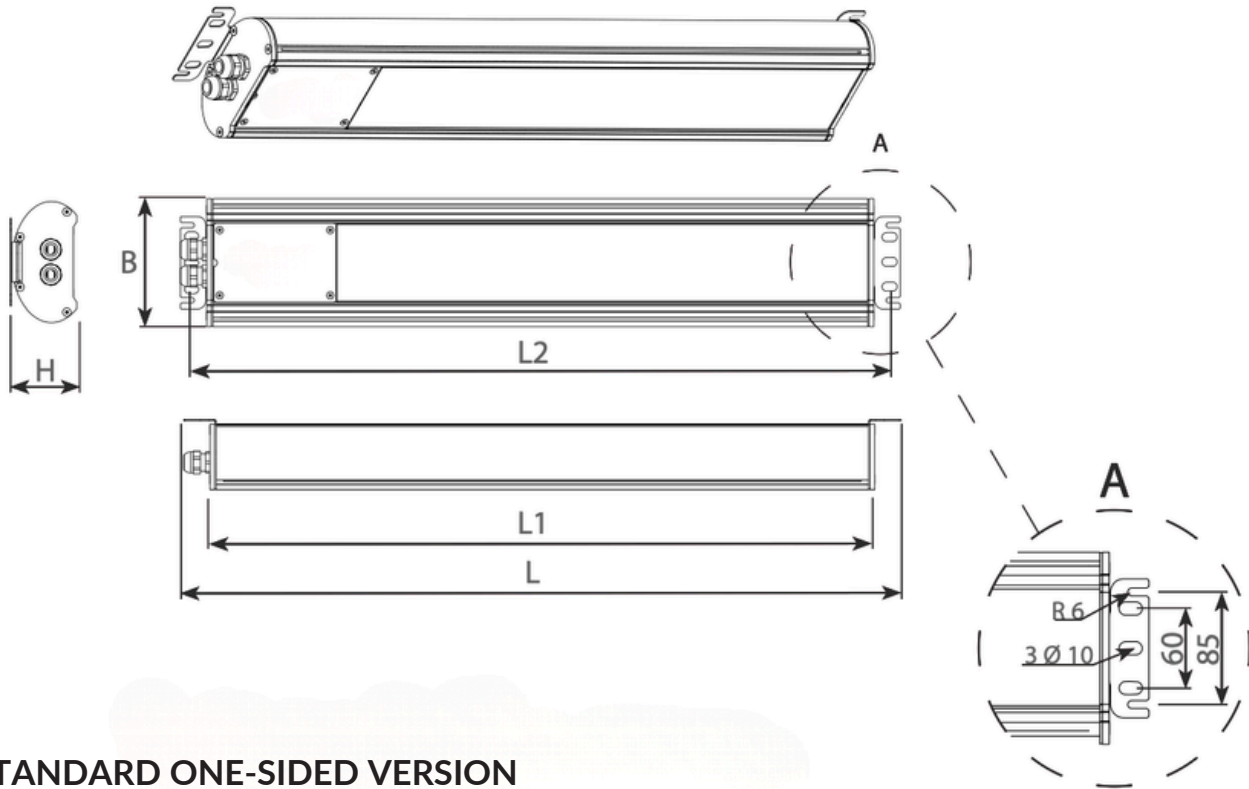
>100.000h L70 B10

PHOTOMETRICAL PARAMETERS

CRI: >80 or >90 optionally

Colour temperature: 4000K, 6500K-option

DIMENSIONS



STANDARD ONE-SIDED VERSION

TYPE	L	L1	L2	H	B	Weight (kg)
EXL400LED-0300	549	475	515	75	145	~3.3
EXL400LED-0600	829	755	795	75	145	~4.7
EXL400LED-1200	1389	1315	1355	75	145	~7.5
EXL400LED-1500	1669	1595	1635	75	145	~9.2

EMERGENCY ONE-SIDED VERSION

TYPE	L	L1	L2	H	B	Weight (kg)
EXL400LED-0300---A3S	599	525	565	75	145	~3.8
EXL400LED-0600---A3S	879	805	845	75	145	~5.2
EXL400LED-1200---A3S	1439	1365	1405	75	145	~8.0
EXL400LED-1500---A3S	1719	1645	1685	75	145	~9.7

MAXIMUM NUMBER OF LINEARLY CONNECTED LUMINAIRES

MAXIMUM NUMBER OF LINE CONNECTED LUMINAIRES DEPENDING ON THE CIRCUIT BREAKERS USED

35E (1/2kV)

Type	B16	C16	Max. starting current	Starting time
EXL400LED-1200-E8-3	6	11	54 A	< 125 µs
EXL400LED-1500-E10-1	6	11	54 A	< 125 µs
Other	12	21	54 A	< 125 µs

35E (4/4kV)

Type	B16	C16	Max. starting current	Starting time
EXL400LED-0300	-	-	-	-
EXL400LED-1500-E10-1	16	27	5 A	< 1000 µs
Other	32	53	5 A	< 1000 µs

34E (1/2kV)

Type	B16	C16	Max. starting current	Starting time
EXL400LED-1200-E8-3	6	11	64 A	< 125 µs
EXL400LED-1500-E10-1	6	11	64 A	< 125 µs
Other	12	21	64 A	< 125 µs

TYPES COMPARISON

LUMINAIRES FOR AMBIENT TEMPERATURE +45°C (TA=45°C) II 3G Ex ec IIC T5 Gc
II 3D Ex tc IIIC T100°C Dc

LUMINAIRES FOR AMBIENT TEMPERATURE +60°C (TA=60°C) II 3G Ex ec IIC T6 Gc
II 2D Ex tb IIIC T75°C Db

NARROW BEAM OPTICS - NB

TYPE	LUMINOUS FLUX (lm)	POWER CONSUMPTION (W)	EFFICIENCY (lm/W)	MAX. TEMP. / TEMP. CLASS
EXL400LED-0300-E1-2	1462	11	133	+45°C / T6 or +60°C / T5
EXL400LED-0300-E2-1	2500	16.9	148	+45°C / T6 or +60°C / T5
EXL400LED-0600-E2-2	2942	22.1	133	+45°C / T6 or +60°C / T5
EXL400LED-0600-E2-3	3379	25.3	134	+45°C / T6 or +60°C / T5
EXL400LED-0600-E4-1	5055	32	158	+45°C / T6 or +60°C / T5
EXL400LED-0600-E4-2	5904	40.9	144	+45°C / T6 or +60°C / T5
EXL400LED-1200-E4-2	5609	40.9	137	+45°C / T6 or +60°C / T5
EXL400LED-1200-E4-3	6803	47.3	144	+45°C / T6 or +60°C / T5
EXL400LED-1200-E8-1	10034	62.4	161	+45°C / T6 or +60°C / T5
EXL400LED-1200-E8-2	11732	79.7	147	+45°C / T6 or +60°C / T5
EXL400LED-1200-E8-3	13487	91.3	148	+45°C / T6 or +60°C / T5
EXL400LED-1500-E5-2	7592	50.7	150	+45°C / T6 or +60°C / T5
EXL400LED-1500-E5-3	8695	59	147	+45°C / T6 or +60°C / T5
EXL400LED-1500-E10-1	11601	78.6	148	+45°C / T6 or +60°C / T5

TYPES COMPARISON

WIDE BEAM OPTICS - WB

TYPE	LUMINOUS FLUX (lm)	POWER CONSUMPTION (W)	EFFICIENCY (lm/W)	MAX. TEMP. / TEMP. CLASS
EXL400LED-0300-E1-2	1413	11	128	+45°C / T6 or +60°C / T5
EXL400LED-0300-E2-1	2416	16.9	143	+45°C / T6 or +60°C / T5
EXL400LED-0600-E2-2	2844	22.1	129	+45°C / T6 or +60°C / T5
EXL400LED-0600-E2-3	3266	25.3	129	+45°C / T6 or +60°C / T5
EXL400LED-0600-E4-1	4973	32	155	+45°C / T6 or +60°C / T5
EXL400LED-0600-E4-2	5808	40.9	142	+45°C / T6 or +60°C / T5
EXL400LED-1200-E4-2	5518	40.9	135	+45°C / T6 or +60°C / T5
EXL400LED-1200-E4-3	6692	47.3	141	+45°C / T6 or +60°C / T5
EXL400LED-1200-E8-1	9872	62.4	158	+45°C / T6 or +60°C / T5
EXL400LED-1200-E8-2	11542	79.7	145	+45°C / T6 or +60°C / T5
EXL400LED-1200-E8-3	13269	91.3	145	+45°C / T6 or +60°C / T5
EXL400LED-1500-E5-2	7352	50.7	145	+45°C / T6 or +60°C / T5
EXL400LED-1500-E5-3	8420	59	143	+45°C / T6 or +60°C / T5
EXL400LED-1500-E10-1	11234	78.6	143	+45°C / T6 or +60°C / T5

TYPES COMPARISON

LUMINAIRES FOR AMBIENT TEMPERATURE +45°C (TA=45°C) II 3G Ex ec IIC T6 Gc
 II 2D Ex tb IIIC T75°C Db

LUMINAIRES FOR AMBIENT TEMPERATURE +50°C (TA=60°C) II 3G Ex ec IIC T5 Gc
 II 2D Ex tb IIIC T100°C Dc

NARROW BEAM OPTICS NB - power supply 24VDC

TYPE	LUMINOUS FLUX (lm)	POWER CONSUMPTION (W)	EFFICIENCY (lm/W)	MAX. TEMP. / TEMP. CLASS
EXL400LED-0300-I1	1646	13.2	125	+45°C / T6 lub +50°C / T5
EXL400LED-0300-I2	3293	28.4	116	+45°C / T6 lub +50°C / T5
EXL400LED-0600-I2	3315	28.4	117	+45°C / T6 lub +50°C / T5
EXL400LED-0600-I4	6513	52.8	123	+45°C / T6 lub +50°C / T5
EXL400LED-1200-I4	6191	52.8	117	+45°C / T6 lub +50°C / T5
EXL400LED-1200-I8	12380	105.6	117	+45°C / T6 lub +50°C / T5
EXL400LED-1500-I5	7862	66	119	+45°C / T6 lub +50°C / T5
EXL400LED-1500-I10	15722	132	119	+45°C / T6 lub +50°C / T5

WIDE BEAM OPTICS WB - power supply 24VDC

TYPE	LUMINOUS FLUX (lm)	POWER CONSUMPTION (W)	EFFICIENCY (lm/W)	MAX. TEMP. / TEMP. CLASS
EXL400LED-0300-I1	1591	13.2	121	+45°C / T6 or +50°C / T5
EXL400LED-0300-I2	3182	28.4	112	+45°C / T6 or +50°C / T5
EXL400LED-0600-I2	3204	28.4	113	+45°C / T6 or +50°C / T5
EXL400LED-0600-I4	6408	52.8	121	+45°C / T6 or +50°C / T5
EXL400LED-1200-I4	6090	52.8	115	+45°C / T6 or +50°C / T5
EXL400LED-1200-I8	12180	105.6	115	+45°C / T6 or +50°C / T5
EXL400LED-1500-I5	7613	66	115	+45°C / T6 or +50°C / T5
EXL400LED-1500-I10	15225	132	115	+45°C / T6 or +50°C / T5

EMERGENCY VERSIONS

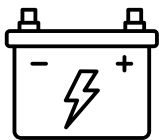


3H

34E Version with 3h emergency power module

The luminaire can operate in temperature range from -20oC to +45oC. The battery charging is not available below 0°C.

A3 luminaire type	Mean emergency luminous flux (lm)	Max. ambient temp. (°C)
EXL400LED-0300---A3	584-799	45
EXL400LED-0600---A3	719-806	45
EXL400LED-1200---A3	730-803	45
EXL400LED-1500---A3	716-808	45



35E Version adapted to be powered from central battery

In the emergency version powered by a central battery (ZB), the standard luminous flux is 50% of the reference value (check types comparison), but can be increased upon the Customer's request.

ZB luminaire type	Mean emergency luminous flux (lm)	Max. ambient temp. (°C)
EXL400LED-0300---ZB	50%	45 / 60
EXL400LED-0600---ZB	50%	45 / 60
EXL400LED-1200---ZB	50%	45 / 60
EXL400LED-1500---ZB	50%	45 / 60

VERSION WITH A PICTOGRAM

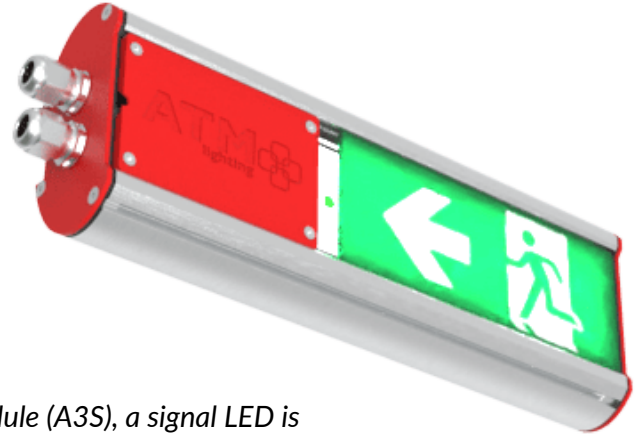
Pictogram dimensions: 320x85mm [LxB]

Brightness: >200 cd/m²

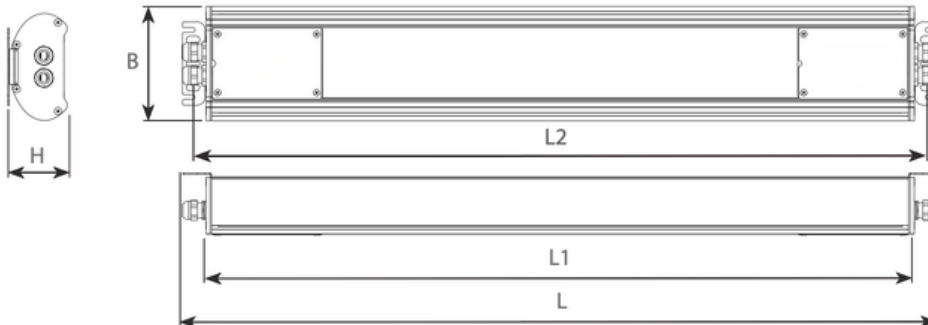
The version with pictogram can only be selected for the 0300-E2-1 luminaire type.

Special order pictograms available for large orders.

In the case of the version with an emergency power supply module (A3S), a signal LED is visible next to the pictogram.



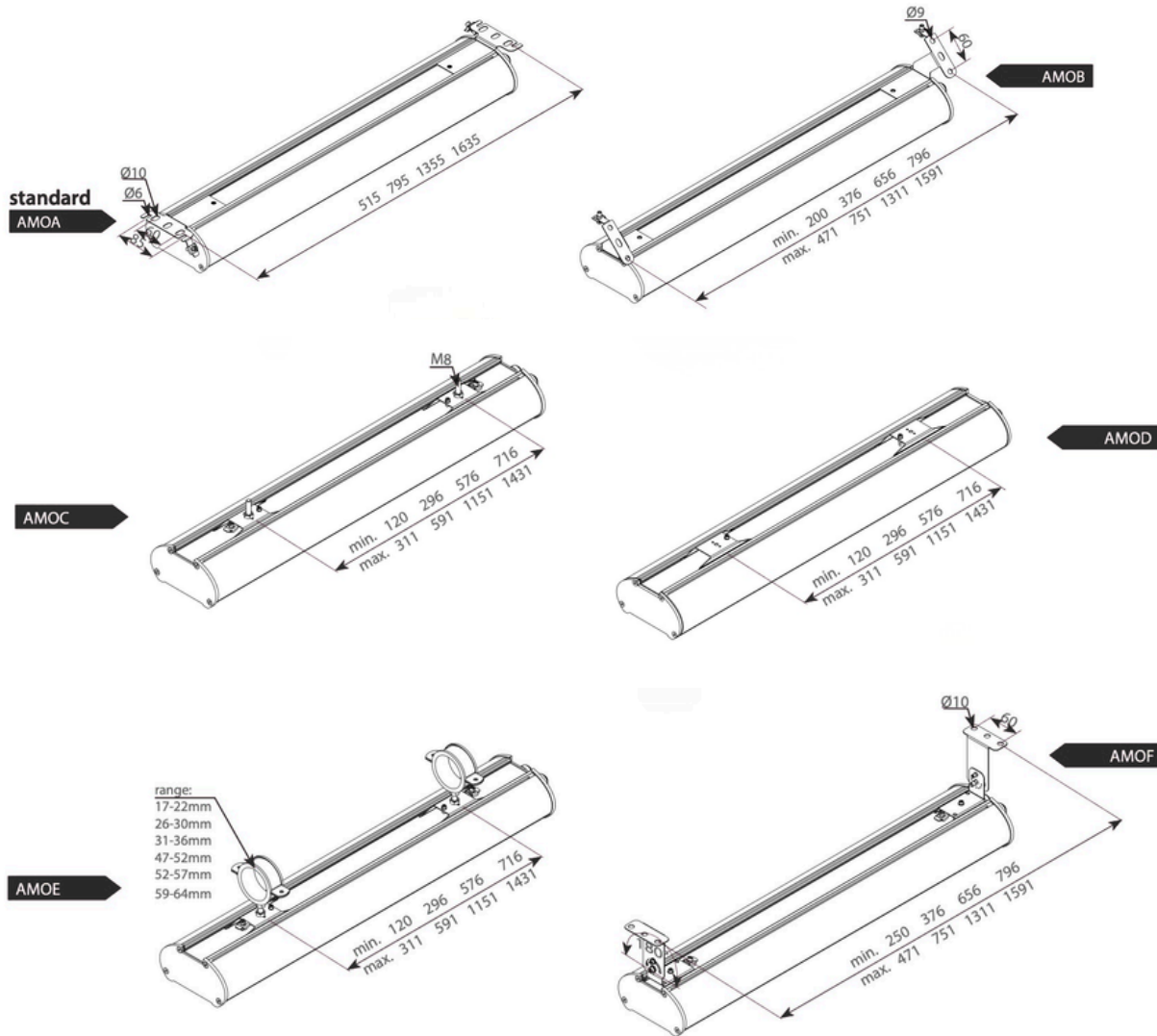
TWO SIDED VERSION



TYPE	L	L1	L2	H	B	Weight (kg)
EXL400LED-0300	719	615	685	75	145	~5.0
EXL400LED-0600	999	895	965	75	145	~7.0
EXL400LED-1200	1559	1455	1525	75	145	~9.5
EXL400LED-1500	1839	1735	1805	75	145	~11.0

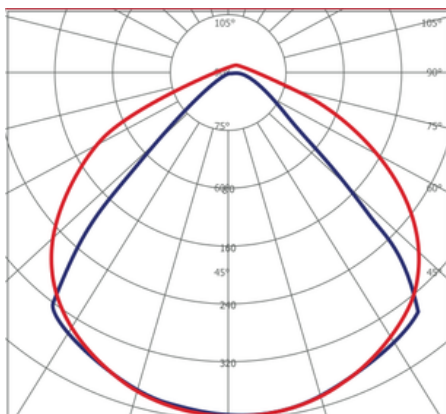
TYPE	L	L1	L2	H	B	Weight (kg)
EXL400LED-0300---A3S	789	685	755	75	145	~6.0
EXL400LED-0600---A3S	1069	965	1035	75	145	~7.0
EXL400LED-1200---A3S	1629	1525	1595	75	145	~10.0
EXL400LED-1500---A3S	1909	1805	1875	75	145	~12.0

MOUNTING



PHOTOMETRY

WB



NB

