



Hazardous
Lighting Solutions LTD



INS350LED

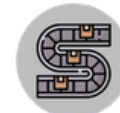
Waterproof and dust-proof industrial luminaire



INDUSTRIAL BUILDINGS



WAREHOUSES



PRODUCTION LINES



WASTE INCINERATORS

-35°C	+60°C	C5	CHEMICALLY RESISTANT NH ₃	NIRO	ENCAPSULATED LED
IP66	IP68	EASY CLEANING	24 VDC	OPTIONAL CENTRAL BATTERY	CONTROL SYSTEM DALI

MECHANICAL FEATURES

Housing: Grey polycarbonate

Diffuser: Clear polycarbonate nano-optics

Ingress protection: IP66, IP68

Impact strength: IK10

Mounting: Suitable for suspended, ceiling, wall, and surface mounting via stainless steel hooks and brackets

ELECTRICAL FEATURES

Connection Terminal: 2.5mm²

Wiring: Optional through wiring (up to 7 wires inside the light fitting)

Cable glands: PG 13.5 thread

Certification: CE, ENEC, CB, HACCP

Lifetime: >70.000h L80 B10

>100.000h L70 B10

WORK PARAMETERS

Ambient Temperatures: -35°C to +60°C

Lifetime: 50.000h L 90 B10

PHOTOMETRICAL PARAMETERS

CRI: >80

Colour temperature: 4000K - standard

On request CRI > 80: 3000K, 5000K, 6500K

On request CRI > 90: 3000K, 4000K, 5000K, 6500K

TYPE COMPARISONS

STANDARD VERSIONS (OPTICS NB, MB, WB)

TYPE	LUMINOUS FLUX (lm)	POWER CONSUM. (W)	EFFICIENCY (lm/W)	WORK TEMP. (°C)
INS350LED-0600-J2-1	2700	18.2	148	-35 ÷ 60
INS350LED-0600-J2-3	3700	25.7	147	-35 ÷ 50
INS350LED-1200-J4-1	5390	34.5	156	-35 ÷ 60
INS350LED-1200-J4-3	7500	49.1	153	-35 ÷ 50
INS350LED-1200-B4-1	9300	57.8	161	-35 ÷ 40
INS350LED-0600-D2 *	2600	23.5	111	-35 ÷ 60
INS350LED-1200-D4 *	5200	45	116	-35 ÷ 60

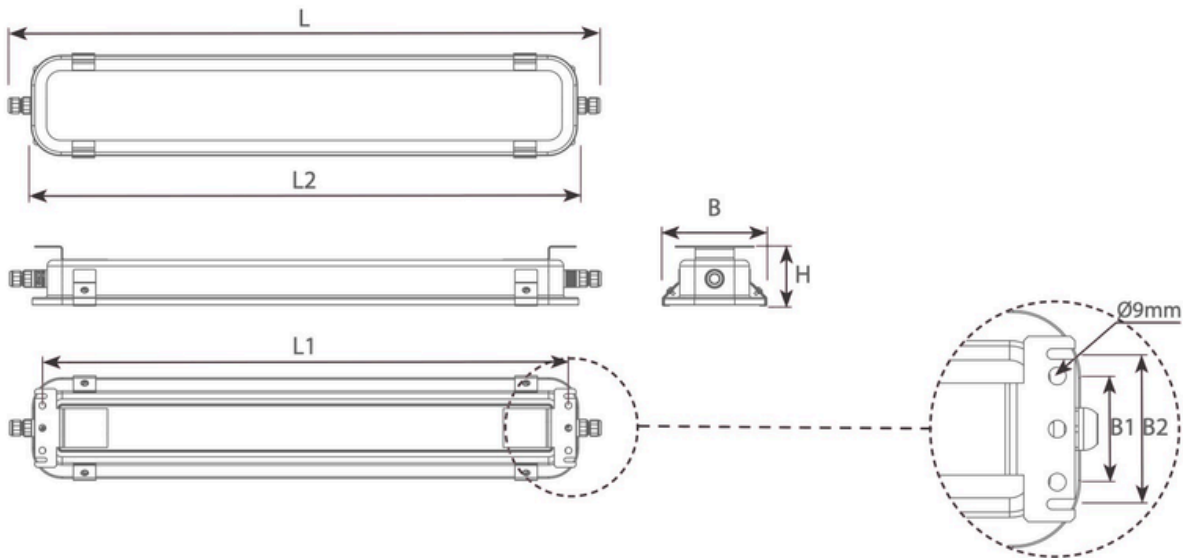
STANDARD VERSIONS (OPTICS ASY)

TYPE	LUMINOUS FLUX (lm)	POWER CONSUM. (W)	EFFICIENCY (lm/W)	WORK TEMP. (°C)
INS350LED-0600-J2-1	2600	18.2	148	-35 ÷ 60
INS350LED-0600-J2-3	3700	25.7	144	-35 ÷ 50
INS350LED-1200-J4-1	5300	34.5	156	-35 ÷ 60
INS350LED-1200-J4-3	7300	49.1	153	-35 ÷ 50
INS350LED-1200-B4-1	9100	57.8	161	-35 ÷ 40
INS350LED-0600-D2 *	2500	23.5	106	-35 ÷ 60
INS350LED-1200-D4 *	5000	45	111	-35 ÷ 60

C5 VERSION (ENCAPSULATED LED MODULES)

TYPE	LUMINOUS FLUX (lm)	POWER CONSUM. (W)	EFFICIENCY (lm/W)	WORK TEMP. (°C)
INS350LED-0600-J2-1	2200	18.2	121	-35 ÷ 60
INS350LED-0600-J2-3	3100	25.7	121	-35 ÷ 50
INS350LED-1200-J4-1	4620	34.6	134	-35 ÷ 60
INS350LED-1200-J4-3	6500	49.1	132	-35 ÷ 50
INS350LED-1200-B4-1	7980	57.8	138	-35 ÷ 40

DIMENSIONS



TYPE	L (mm)	L1 (mm)	L2 (mm)	B (mm)	B1 (mm)	B2 (mm)	H (mm)	WEIGHT
INS350LED-0600	853	704	730	139	60	85	80	4.7 kg
INS350LED-1200	1463	1314	1340	139	60	85	80	7.2 kg

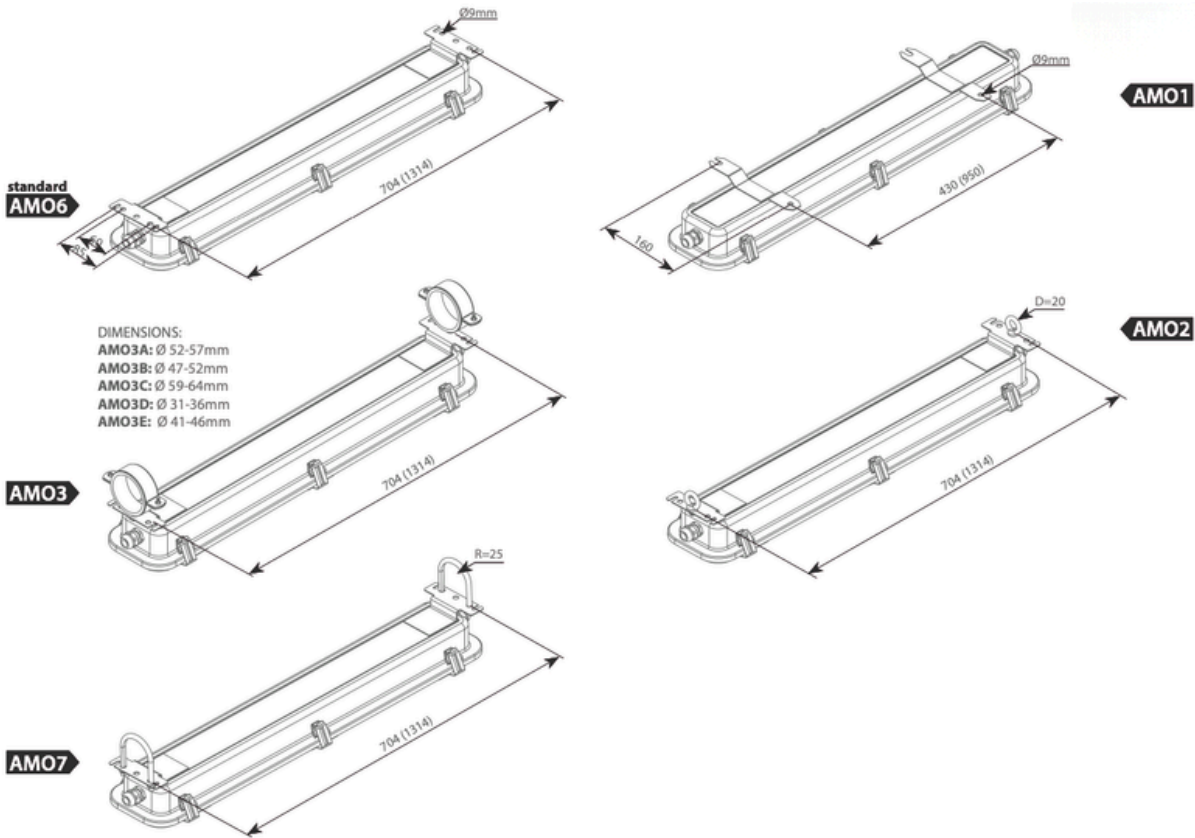
MEAN EMERGENCY MODE LUMINOUS FLUX [lm]

TYPE	NB, MB, WB OPTICS	ASY OPTICS	ENCAPSULATED LED (C5)
INS350LED-0600-J2-1	1350	1300	1100
INS350LED-0600-J2-3	1850	1850	1550
INS350LED-1200-J4-1	2695	2650	2310
INS350LED-1200-J4-3	3750	3650	3250
INS350LED-1200-B4-1	4650	4550	3990
INS350LED-0600-D2 *	1300	1250	-
INS350LED-1200-D4 *	2600	2500	-



Optionally the luminaire can be equipped with DALI-2 driver.

MOUNTING



PHOTOMETRICS

