

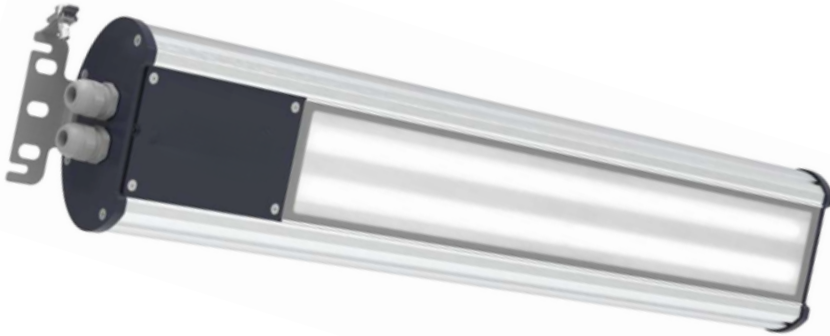


**Hazardous**  
Lighting Solutions LTD



# INS400LED

*Waterproof and dustproof industrial luminaire with LED modules*



## MECHANICAL FEATURES

- Housing:** Anodized aluminium
- Diffuser:** Tempered glass, polycarbonate, PMMA
- Ingress protection:** IP66/IP67
- Protection class:** I
- Mounting:** Different mountings
- Accessories:** Mounting accessories

## ELECTRICAL FEATURES

- Connection terminals:** 2,5mm
- Input voltage:** 220-240V 50-60Hz, 220-240V 0Hz,
- Light source:** Certified LED modules
- Power factor:** >0,95
- Cable inlets:** Ø20
- Overvoltage protection:** 4kV (L-N), 4kV (L-PE)

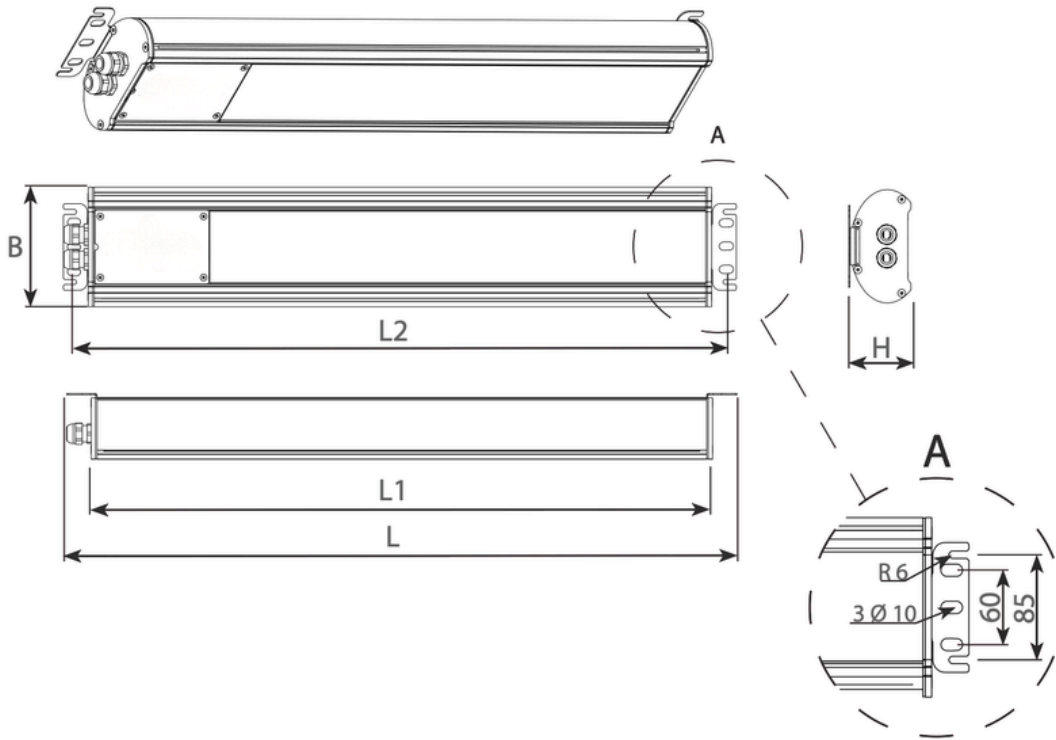
## WORK PARAMETERS

- Ambient Temperatures:** -40°C to + 70°C
- Lifetime:** >70.000h L80 B10

## PHOTOMETRICAL PARAMETERS

- CRI:** >80
- Colour temperature:** 4000K, 5000K, 6500K - optionally

## DIMENSIONS



## CROSS-WIRING VERSION

TYPE	L	L1	L2	H	B	weight [kg]
INS400LED-0300	549	475	515	75	145	~ 3,3
INS400LED-0600	829	755	795	75	145	~ 4,7
INS400LED-1200	1389	1315	1355	75	145	~ 7,5
INS400LED-1500	1669	1595	1635	75	145	~ 9,2

## EMERGENCY A3 CROSS-WIRING VERSION

TYPE	L	L1	L2	H	B	weight [kg]
INS400LED-0300-...-A3S	599	525	565	75	145	~ 3,8
INS400LED-0600-...-A3S	879	805	845	75	145	~ 5,2
INS400LED-1200-...-A3S	1439	1365	1405	75	145	~ 8,0
INS400LED-1500-...-A3S	1719	1645	1685	75	145	~ 9,7

## TYPES COMPARISON

### STANDARD VERSIONS

TYPE OF THE FIXTURE	LUMINOUS FLUX [lm]	POWER CONSUMPTION [W]	EFFICIENCY [lm/W]	AMB. TEMP. [°C]
INS400LED-0300-A1-1	616	5.8	106	-25°C to +60°C
INS400LED-0300-A1-2	898	7.4	121	-25°C to +60°C
INS400LED-0300-A1-3	1091	8.9	123	-25°C to +60°C
INS400LED-0300-A1-4	1286	10.0	129	-25°C to +60°C
INS400LED-0600-B2-1	2289	16.2	141	-40°C to +70°C
INS400LED-0600-B2-2	3359	22.7	148	-40°C to +65°C
INS400LED-0600-B2-3	4104	27.8	148	-40°C to +60°C
INS400LED-0600-B2-4	4837	31.6	153	-40°C to +55°C
INS400LED-1200-B4-1	4624	29.5	157	-40°C to +70°C
INS400LED-1200-B4-2	6778	42.5	159	-40°C to +65°C
INS400LED-1200-B4-3	8273	52.7	147	-40°C to +60°C
INS400LED-1200-B4-4	9751	61.7	158	-40°C to +55°C
INS400LED-1500-B4A2-1	5793	36.1	160	-40°C to +70°C
INS400LED-1500-B4A2-2	8604	53.7	160	-40°C to +65°C
INS400LED-1500-B4A2-3	10353	65.0	159	-40°C to +60°C
INS400LED-1500-B4A2-4	12202	77.5	157	-40°C to +55°C

## TYPES COMPARISON

### NARROW BEAM OPTICS (NB)

TYPE OF THE FIXTURE	LUMINOUS FLUX [lm]	POWER CONSUMPTION [W]	EFFICIENCY [lm/W]	AMB. TEMP. [°C]
INS400LED-0300-A1-1	617	5.8	106	-25°C to +60°C
INS400LED-0300-A1-2	900	7.4	122	-25°C to +60°C
INS400LED-0300-A1-3	1093	8.9	123	-25°C to +60°C
INS400LED-0300-A1-4	1288	10.0	129	-25°C to +60°C
INS400LED-0600-B2-1	2339	16.2	144	-40°C to +70°C
INS400LED-0600-B2-2	3431	22.7	151	-40°C to +65°C
INS400LED-0600-B2-3	4193	27.8	151	-40°C to +60°C
INS400LED-0600-B2-4	4942	31.6	156	-40°C to +55°C
INS400LED-1200-B4-1	4692	29.5	159	-40°C to +70°C
INS400LED-1200-B4-2	6877	42.5	162	-40°C to +65°C
INS400LED-1200-B4-3	8394	52.7	159	-40°C to +60°C
INS400LED-1200-B4-4	9893	61.7	160	-40°C to +55°C
INS400LED-1500-B4A2-1	5594	36.1	155	-40°C to +70°C
INS400LED-1500-B4A2-2	8308	53.7	155	-40°C to +65°C
INS400LED-1500-B4A2-3	9997	65.0	154	-40°C to +60°C
INS400LED-1500-B4A2-4	11782	77.5	152	-40°C to +55°C

## TYPES COMPARISON

### ASYMETRICAL OPTICS (ASY)

TYPE OF THE FIXTURE	LUMINOUS FLUX [lm]	POWER CONSUMPTION [W]	EFFICIENCY [lm/W]	AMB. TEMP. [°C]
INS400LED-0300-A1-1	592	5.8	102	-25°C to +60°C
INS400LED-0300-A1-2	864	7.4	117	-25°C to +60°C
INS400LED-0300-A1-3	1049	8.9	118	-25°C to +60°C
INS400LED-0300-A1-4	1236	10.0	124	-25°C to +60°C
INS400LED-0600-B2-1	2242	16.2	138	-40°C to +70°C
INS400LED-0600-B2-2	3289	22.7	145	-40°C to +65°C
INS400LED-0600-B2-3	4019	27.8	145	-40°C to +60°C
INS400LED-0600-B2-4	4737	31.6	150	-40°C to +55°C
INS400LED-1200-B4-1	4578	29.5	155	-40°C to +70°C
INS400LED-1200-B4-2	6710	42.5	158	-40°C to +65°C
INS400LED-1200-B4-3	8190	52.7	155	-40°C to +60°C
INS400LED-1200-B4-4	9653	61.7	156	-40°C to +55°C
INS400LED-1500-B4A2-1	5696	36.1	158	-40°C to +70°C
INS400LED-1500-B4A2-2	8459	53.7	158	-40°C to +65°C
INS400LED-1500-B4A2-3	10179	65.0	157	-40°C to +60°C
INS400LED-1500-B4A2-4	11997	77.5	155	-40°C to +55°C

## TYPES COMPARISON

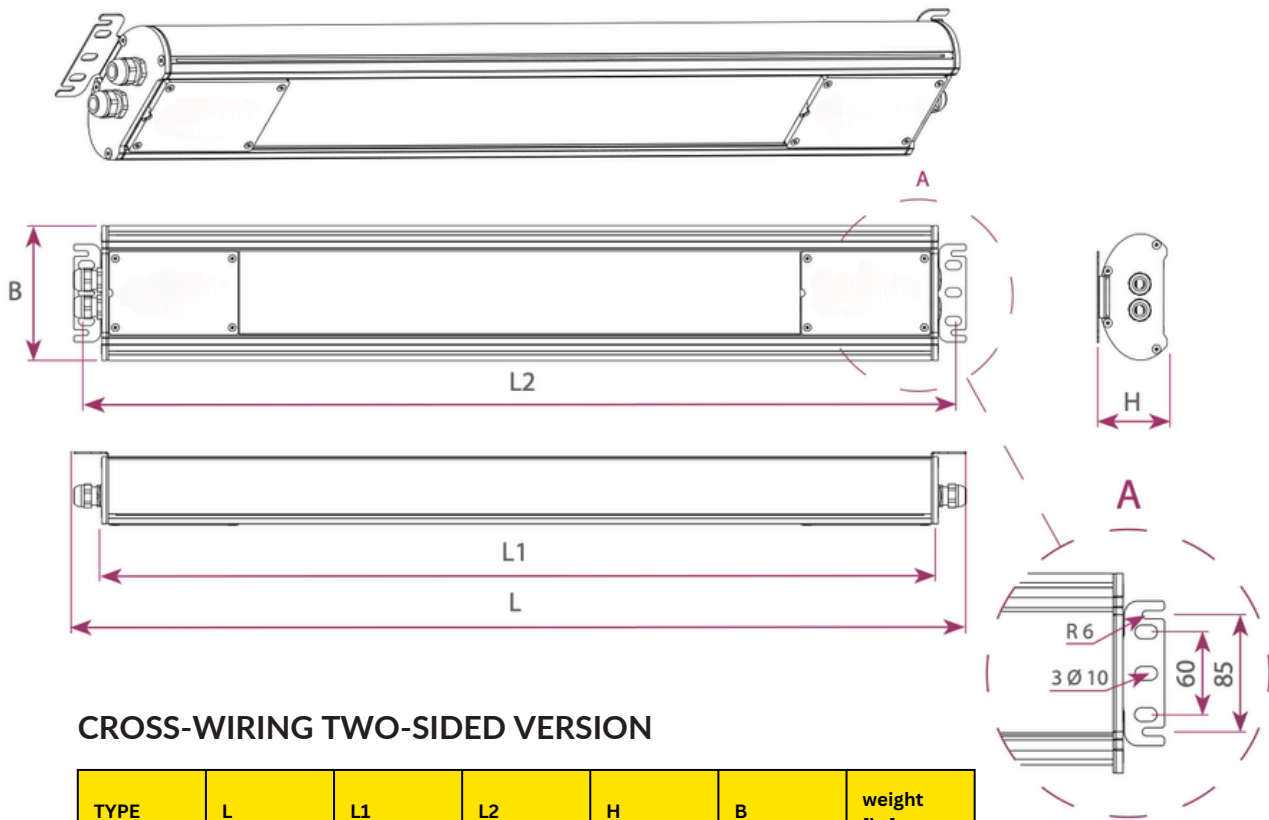
### ENCAPSULATED LED MODULES (C4 | C5)

TYPE OF THE FIXTURE	LUMINOUS FLUX [lm]	POWER CONSUMPTION [W]	EFFICIENCY [lm/W]	AMB. TEMP. [°C]
INS400LED-0300-A1-1	512	5.8	88	-25°C to +60°C
INS400LED-0300-A1-2	747	7.4	100	-25°C to +60°C
INS400LED-0300-A1-3	907	8.9	102	-25°C to +60°C
INS400LED-0300-A1-4	1069	10.0	107	-25°C to +60°C
INS400LED-0600-B2-1	1938	16.2	120	-40°C to +70°C
INS400LED-0600-B2-2	2844	22.7	125	-40°C to +65°C
INS400LED-0600-B2-3	3475	27.8	125	-40°C to +60°C
INS400LED-0600-B2-4	4096	31.6	130	-40°C to +55°C
INS400LED-1200-B4-1	3958	29.5	134	-40°C to +70°C
INS400LED-1200-B4-2	5801	42.5	137	-40°C to +65°C
INS400LED-1200-B4-3	7081	52.7	134	-40°C to +60°C
INS400LED-1200-B4-4	8346	61.7	135	-40°C to +55°C
INS400LED-1500-B4A2-1	4925	36.1	136	-40°C to +70°C
INS400LED-1500-B4A2-2	7314	53.7	136	-40°C to +65°C
INS400LED-1500-B4A2-3	8801	65.0	135	-40°C to +60°C
INS400LED-1500-B4A2-4	10373	77.5	134	-40°C to +55°C

## MAXIMAL NUMBER OF LUMINAIRES IN ONE LINE

LIGHT FITTING	B16	C16
INS400LED	32	53

## TWO SIDED VERSION



### CROSS-WIRING TWO-SIDED VERSION

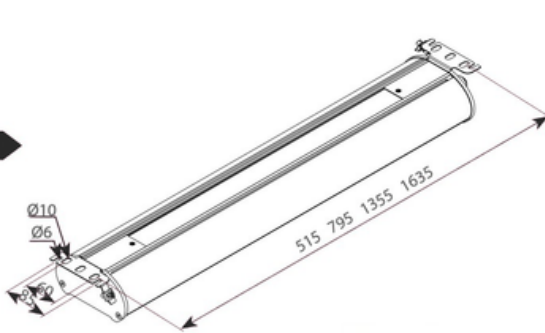
TYPE	L	L1	L2	H	B	weight [kg]
INS400LE D-0300	719	615	685	75	145	~ 5,0
INS400LE D-0600	999	895	965	75	145	~ 7,0
INS400LE D-1200	1559	1455	1525	75	145	~ 9,5
INS400LE D-1500	1839	1735	1805	75	145	~ 11,0

### EMERGENCY A3 TWO-SIDED VERSION

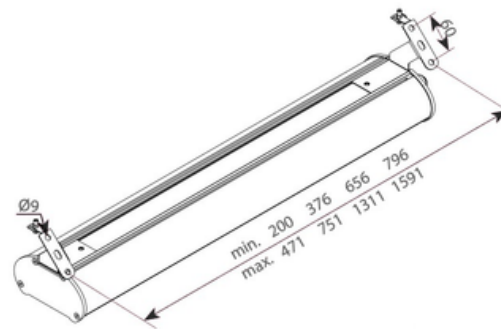
TYPE	L	L1	L2	H	B	weight [kg]
INS400LED-0300-...-A3S	789	685	755	75	145	~ 6,0
INS400LED-0600-...-A3S	1069	965	1035	75	145	~ 7,0
INS400LED-1200-...-A3S	1629	1525	1595	75	145	~ 10,0
INS400LED-1500-...-A3S	1909	1805	1875	75	145	~ 12,0

## MOUNTINGS

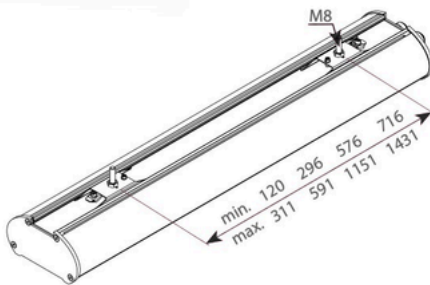
**standard**  
AMOA



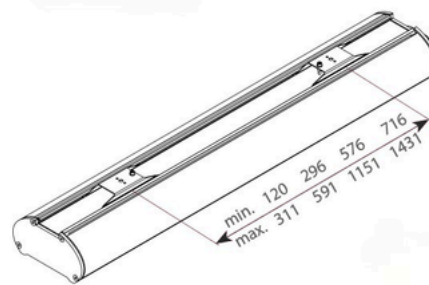
AMOB



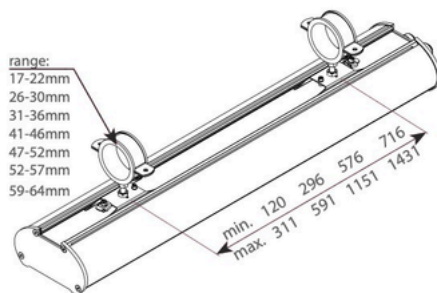
AMOC



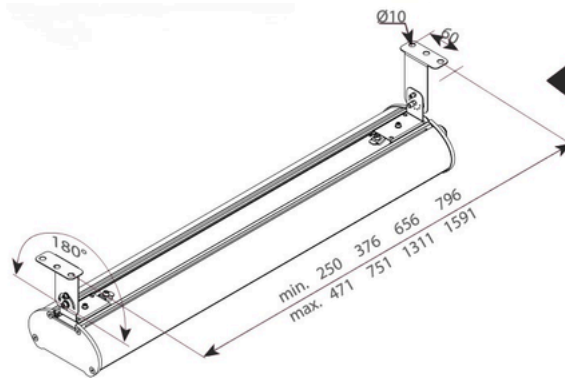
AMOD



AMOE



AMOF



## VERSION WITH A PICTOGRAM



**Pictogram dimensions: 320x85mm [LxB]**

Version with a pictogram is available only for type A1 - with one LED module.

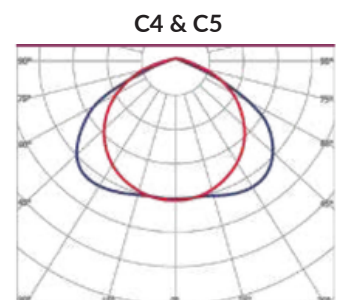
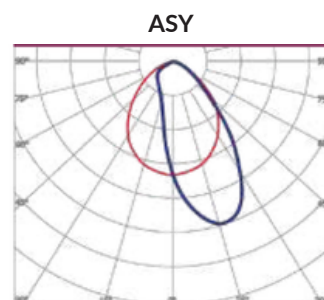
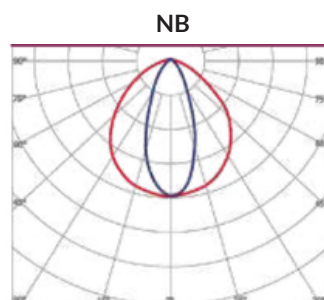
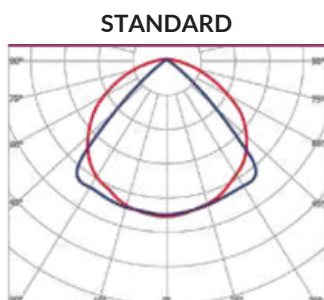
The luminaire is equipped with a set of self-adhesive pictograms:



## MEAN EMERGENCY LUMINOUS FLUX

TYPE	VERSION A3S [lm]	VERSION ZB [lm]
INS400LED-0300-A1-1	749	616*
INS400LED-0300-A1-2	716	864*
INS400LED-0300-A1-3	705	1091*
INS400LED-0300-A1-4	696	1286*
INS400LED-0600-B2-1	894	1145
INS400LED-0600-B2-2	863	1680
INS400LED-0600-B2-3	853	2052
INS400LED-0600-B2-4	842	2418
INS400LED-1200-B4-1	904	2312
INS400LED-1200-B4-2	869	3390
INS400LED-1200-B4-3	860	4137
INS400LED-1200-B4-4	850	4875
INS400LED-1500-B4A2-1	904	2897
INS400LED-1500-B4A2-2	883	4301
INS400LED-1500-B4A2-3	862	5177
INS400LED-1500-B4A2-4	851	6101

## PHOTOMETRY



## EMERGENCY VERSIONS

### **Emergency power module: 34E**

Version with 3h emergency module. Operation in an environment with a temperature range -20°C to +45°C.  
*The battery can only be charged at temperatures above -10°C.*

### **Central battery version: 35E**

Version with a driver for central battery without switching module.  
*Operating range - see type summary table on page 5. Power supply 176-280V, 0Hz.*

### **Central battery version: 35E**

Central battery version with TM Technologie TM-AM module.  
*Operating temperature from -15°C to +45°C.*

### **Central battery version: 35E**

Central battery version with CEAG V-CG-S 4-400W module.  
*Operating temperature from -20°C to +45°C.*

### **Central battery version: 35E**

Central battery version with CEAG V-CG-SE 4-400W module.  
*Operating temperature from -20°C to +45°C.*

### **Central battery version: 35E**

Central battery version with RP Technik MU05 module.  
*Operating temperature from -20°C to +45°C.*

### **Central battery version: 35E**

Central battery version with ES System MSU 35 module.  
*Operating temperature from -5°C to +45°C.*

### **Central battery version: 35E**

Central battery version with Hybrid MAPS-01 module.  
*Operating temperature from -35°C to +45°C.*

### **Central battery version: 35E**

Central battery version with Michalowsky LMP-1 module.  
*Operating temperature from -20°C to +45°C.*

## OPTIONAL VERSIONS



**DALI-2 DRIVER:** Version equipped with an integrated power supply with DALI-2 interface.



**SENSOR:** Motion and light level sensor adjustable manually on the module.



**SENSOR:** Motion and light level sensor adjustable wireless through a mobile app