



Hazardous
Lighting Solutions LTD



INV320LED-SF

LED modules light fixture characterised by very high shock resistance



PLACES PRONE TO VANDALISM



PASSAGEWAYS



MECHANICAL FEATURES

Housing: Powder coated stainless steel (NIRO)

Diffuser: Prismatic polycarbonate (PC)

Shock resistance: IK11+ (150J)

Ingress protection: IP65

Protection class: II

Mounting: 4 holes, easy mounting

ELECTRICAL FEATURES

Connection terminals: 4.0 mm²

Input voltage:

35E: 220-240V 50-60Hz

34E: 220-240V 50-60Hz

Light source: LED modules with ENEC certificate

Power factor: >0.95

Cable inlets: Ø20 (wire 8-13 mm)

Overvoltage protection: L-N 10kV

WORK PARAMETERS

Ambient temperature: -40°C to +45°C

Lifetime: 50,000h L80 B50

70,000h L80 B10

PHOTOMETRICAL PARAMETERS

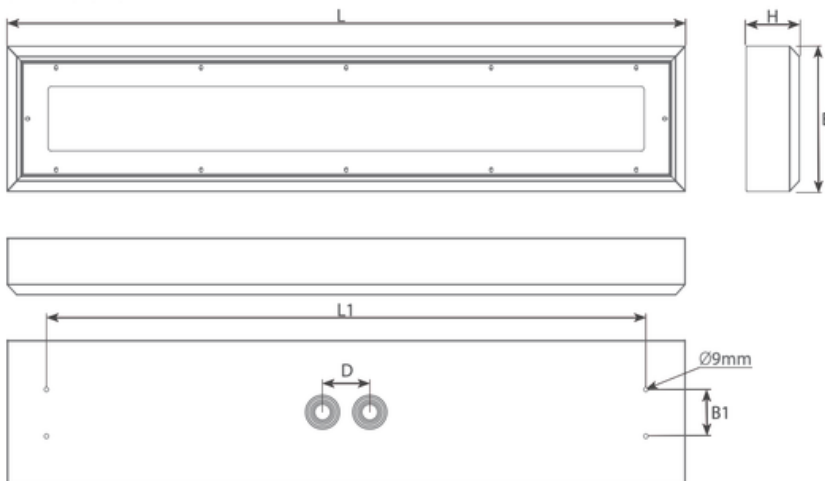
CRI: >80

Colour temperature: 4000K / 3000K (optionally)

TYPES COMPARISON

Type of the Fixture	Luminous Flux [lm]	Power Consump. [W]	Efficiency [lm/W]	Max. Amb. Temp. [°C]
INV320LED-0600-J2-1-...-SF	2427	18.2	133	45
INV320LED-0600-J2-3-...-SF	3308	26.2	126	45
INV320LED-0600-B2-1-...-SF	4854	35.4	137	45
INV320LED-0600-B2-2-...-SF	5487	40.7	135	45
INV320LED-1200-J4-1-...-SF	4854	35.4	137	45
INV320LED-1200-J4-2-...-SF	5486	40.7	135	45
INV320LED-1200-J4-3-...-SF	6615	51.3	129	45
INV320LED-1200-B4-1-...-SF	9708	69.8	139	45
INV320LED-1200-B4-2-...-SF	10974	80.3	137	45
INV320LED-1500-J4M2-1-...-SF	6068	44	138	45
INV320LED-1500-J4M2-3-...-SF	8269	63.9	129	45

DIMENSIONS



Type of the Fixture	L [mm]	L1 [mm]	B [mm]	B1 [mm]	H [mm]	D [mm]	Weight [kg]
INV320LED-0600-...-SF	760	594	280	90	110	60	~11.5
INV320LED-1200-...-SF	1370	1220	280	90	110	60	~18.5
INV320LED-1500-...-SF	1670	1240	280	90	110	60	~21.0

MAXIMAL NUMBER OF LUMINAIRES CONNECTED IN LINE

Light fittings	B16	C16	Starting current	Starting time
INV320LED-J2, B2, J4	10	16	32A	< 355 μ s
INV320LED-B4, J4M2	5	8	65A	< 268 μ s

OPTIONAL EQUIPMENT



Version with 3h emergency module, available only with 34E power supply (230V, 50-60Hz). The ambient temperature must be at least 0°C



Version with 3h emergency module, available only with 34E power supply (230V, 50-60Hz). The ambient temperature must be higher than -20°C



Version with driver for central battery - no switching module.

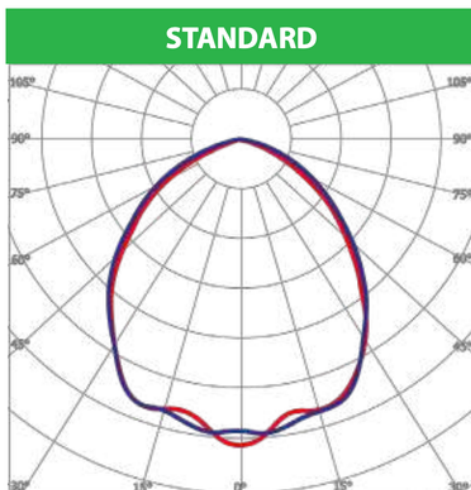


Version with driver for central battery - with switching module ES System MSU 35.



Version with driver for central battery - with switching module Hybryd SOAM-01.

PHOTOMETRY



MEAN EMERGENCY MODE LUMINOUS FLUX

Type	A3, A3S [lm]	ZB, ZBS, ZBH [lm]
INV320LED-0600-J2-1-...-SF	600	1214
INV320LED-0600-J2-3-...-SF	561	1654
INV320LED-0600-B2-1-...-SF	786	2427
INV320LED-0600-B2-2-...-SF	772	2744
INV320LED-1200-J4-1-...-SF	772	2427
INV320LED-1200-J4-2-...-SF	758	2743
INV320LED-1200-J4-3-...-SF	720	3308
INV320LED-1200-B4-1-...-SF	786	4854
INV320LED-1200-B4-2-...-SF	772	5487
INV320LED-1500-J4M2-1-...-SF	786	3034
INV320LED-1500-J4M2-3-...-SF	734	4135



Version with driver for central battery - with switching module Hybryd SOAM-01.



Motion and light level sensor.