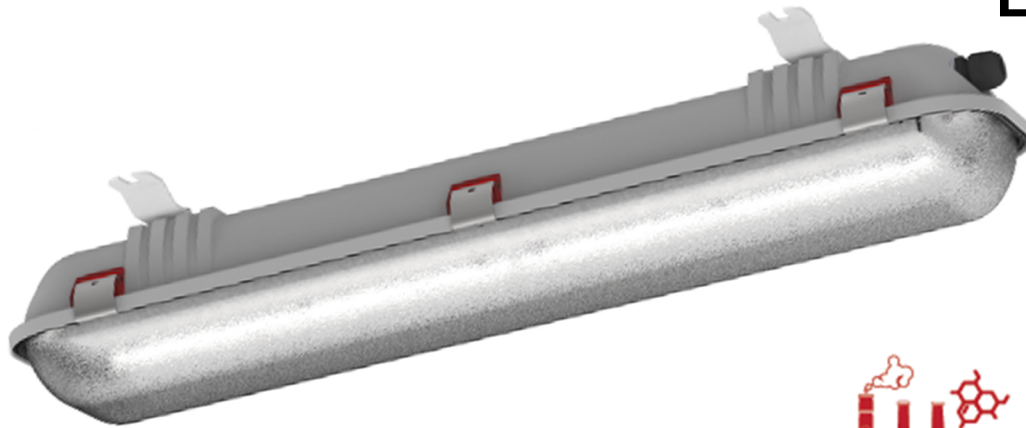


EXPLOSIONPROOF LIGHT FITTINGS



REFINERIES



FUEL
TANKS



CHEMICAL
PLANTS



CHEMICAL
WAREHOUSES



FUEL
HANDLING
STATIONS



EXPLOSION-PROOF MARKINGS

STANDARD and ZB: Ex II 3G Ex ec op is IIC T5 Gc
II 2D Ex tb op is IIIC T60°C Db

A3, ZBC, ZBD: Ex II 3G Ex ec IIC T5 Gc
II 2D Ex tb IIIC T60°C Db

ZBT, ZBS, ZBR, ZBH, ZBM: Ex II 3G Ex ec IIC T5 Gc
II 3D Ex tc IIIC T60°C Dc

MECHANICAL PARAMETERS

Housing: fiber glass reinforced polyester (GRP)
Diffuser: UV stabilised polycarbonate
Ingress protection: IP66, IP67
Protection class: I
Mounting: on the surface with bracket

WORK PARAMETERS

Ambient temperature: -40°C to +60°C
Lifetime: >70.000h L80 B10

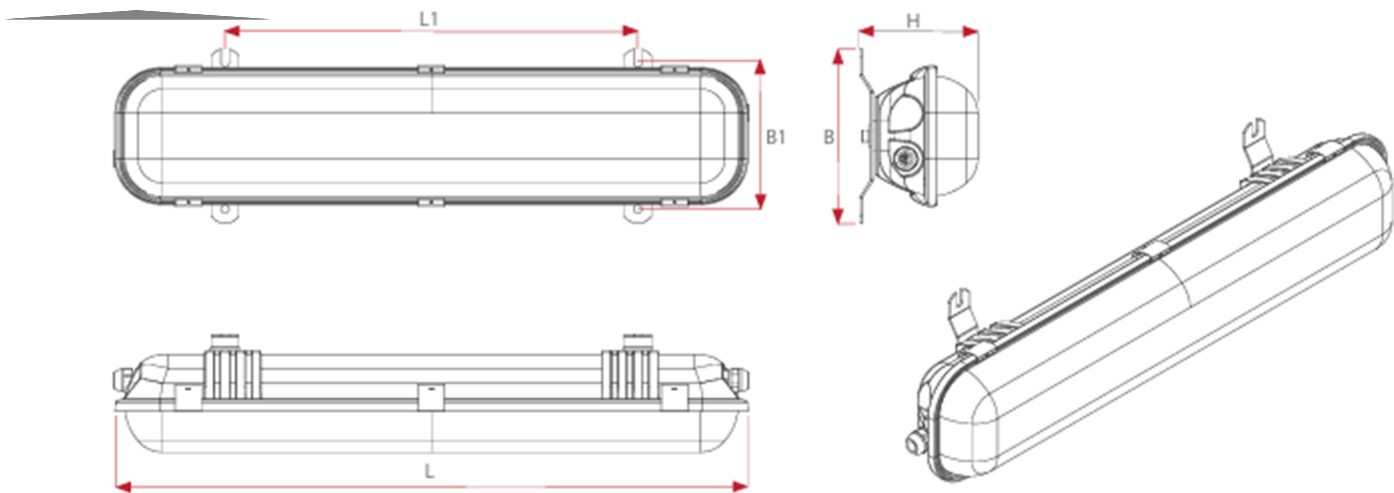
ELECTRICAL PARAMETERS

Connection terminals: 2,5mm²
Input voltage: 230V, 0/50-60Hz
Light source: intrinsically safe LED modules
Power factor: >0,97
Cable inlets: Ø20
Overvoltage protection: 2kV

PHOTOMETRICAL PARAMETERS

CRI: >80
Colour temperature: 4000K

DIMENSIONS



TYPE	L [mm]	L1 [mm]	B [mm]	B1 [mm]	H [mm]
EXL210LED-0600	700	450	190	160	129
EXL210LED-1200	1300	800	190	160	129
EXL210LED-1500	1600	1000	190	160	129

TYPES COMPARISON

TYPE OF THE LIGHT FITTING	LUMINOUS FLUX [lm]	POWER CONSUMPTION [W]	EFFICIENCY [lm/W]	AMB. TEMP. [°C]
EXL210LED-0600-E2	2750	16,2	170	-40 ÷ +45
EXL210LED-0600-E4	5486	31,5	174	-40 ÷ +45
EXL210LED-1200-E4	6450	38	170	-40 ÷ +45
EXL210LED-1200-E8	10925	62,2	176	-40 ÷ +45
EXL210LED-1500-E6	8207	46,9	175	-40 ÷ +45

MEAN EMERGENCY MODE LUMINOUS FLUX

TYPE OF THE FITTING	VERSION A3 [lm]	VERSION ZB [lm]
EXL210LED-0600-E2	836	1375
EXL210LED-0600-E4	812	2735
EXL210LED-1200-E4	796	3225
EXL210LED-1200-E8	808	5470
EXL210LED-1500-E6	780	4103

ADDITIONAL PICTOGRAM



Self-adhesive pictograms can be added to the order optionally.



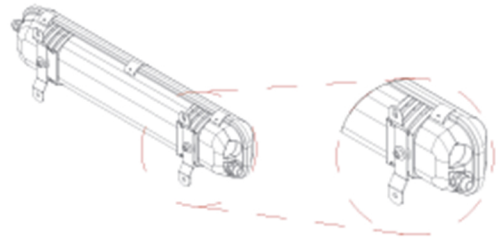


MOUNTING



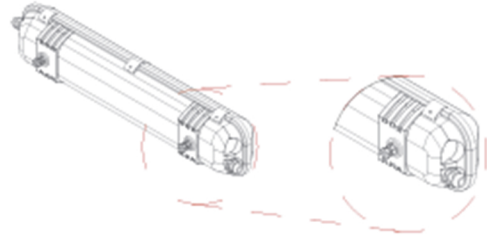
AM01

standard mounting bracket made of 1.5mm thick steel, mounting hole spacing 160mm



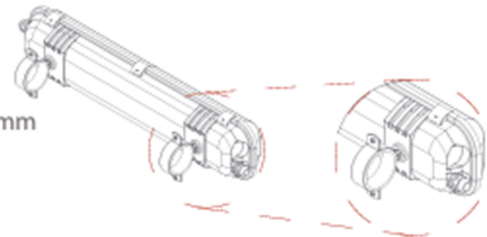
BK

standard bolt kit made to install the light fitting on the thin surfaces or the cable trays



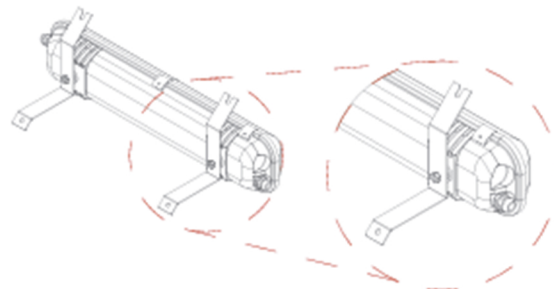
AM03

stainless steel hoop for pipe of diameter: 26-30mm, 31-36mm, 41-46mm, 47-52mm, 59-64mm
Please indicate size when ordering



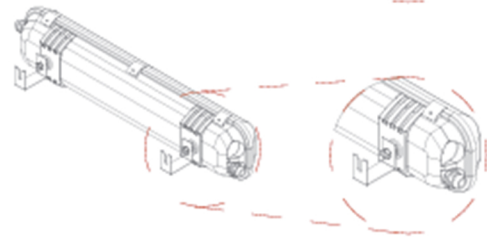
AM04

bracket for installation at 45°



AM05

68mm distance bracket



PHOTOMETRY

