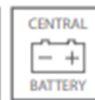




VERSION WITH A PICTOGRAM

ZONE 1, 21 & 2, 22 EXPLOSIONPROOF LIGHT FITTINGS



EX MARKING:



II 2G Ex eb mb op is IIC T5 Gb
II 2D Ex tb op is IIC T85°C Db

CERTIFICATES:

JSHP 22 ATEX 0022X

MECHANICAL PARAMETERS

- Housing:** anodized aluminium
- Diffuser:** tempered glass, polycarbonate
- Ingress protection:** IP66/IP67
- Protection class:** I
- Mounting:** different mountings (check mountings)
- Accessibility:** revision cover

WORK PARAMETERS

- Ambient temperature:** -40°C to +55°C
- Lifetime:** >70.000h L80B10

ELECTRICAL PARAMETERS

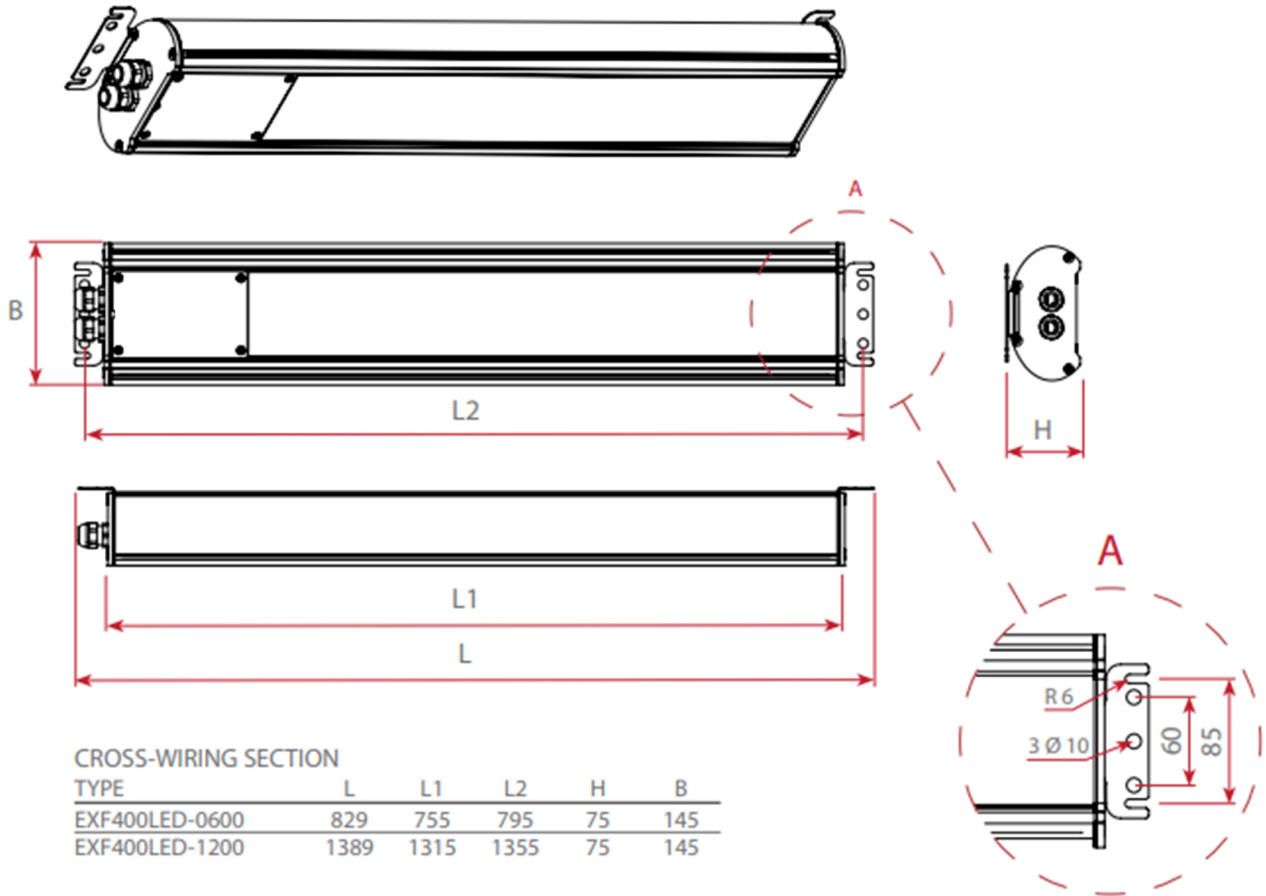
- Connection terminals:** 2,5mm²
- Input voltage:** 110-254V, 50-60Hz
220-250V, 0Hz
or 220-240V 0,50-60Hz
- Light source:** intrinsically safe LED modules
- Power factor:** >0,95
- Cable inlets:** Ø20 or Ø25
- Overvoltage protection:** 1kV (L-N)
2kV (I-PE)

PHOTOMETRICAL PARAMETERS

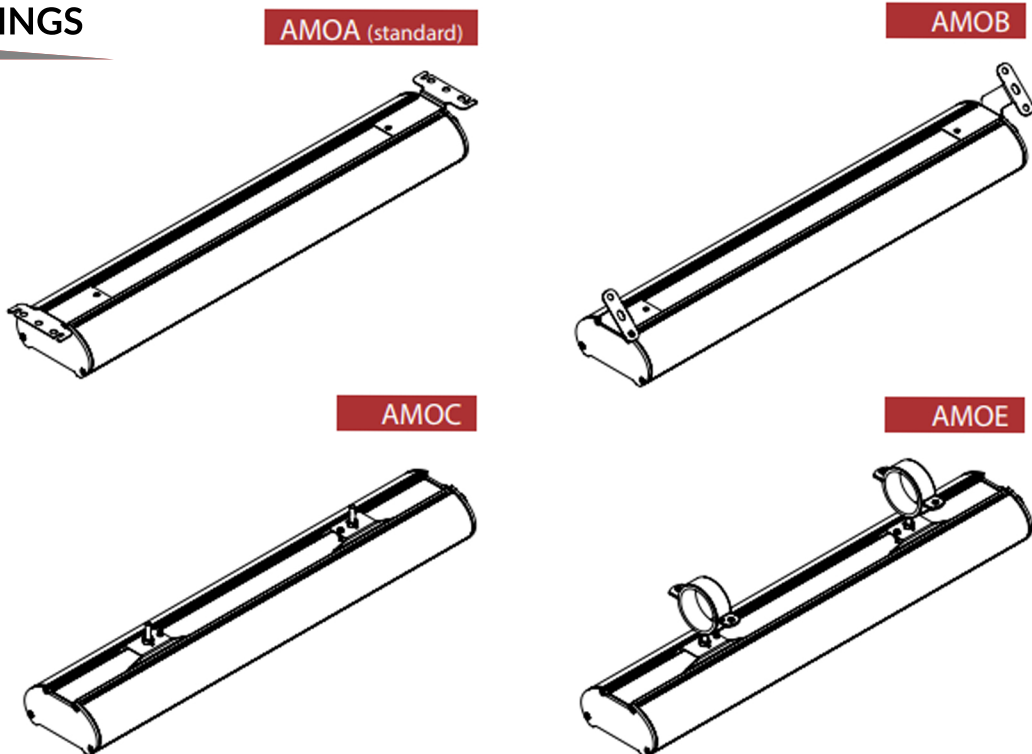
- CRI:** >80
- Colour temperature:** 4000K
6500K-option



DIMENSIONS



MOUNTINGS



TYPES COMPARISON

Power supply 220-240V, 0/50-60Hz (35E)

TYPE OF THE FIXTURE	LUMINOUS FLUX [lm]	POWER CONSUMPTION [W]	EFFICIENCY [lm/W]	AMBIENT TEMPERATURE [°C]
EXF400LED-0600-FB1-1	2022	15,7	129	- 40 ÷ + 55°C
EXF400LED-0600-FB1-2	2427	18,5	131	- 40 ÷ + 55°C
EXF400LED-0600-FB1-3	2831	21,3	133	- 40 ÷ + 55°C
EXF400LED-0600-FB2-1	3827	29,5	130	- 40 ÷ + 55°C
EXF400LED-0600-FB2-2	4593	34,9	132	- 40 ÷ + 55°C
EXF400LED-0600-FB2-3	5358	40,5	132	- 40 ÷ + 55°C
EXF400LED-1200-FB2-1	4036	29,7	136	- 40 ÷ + 55°C
EXF400LED-1200-FB2-2	4844	35,1	138	- 40 ÷ + 55°C
EXF400LED-1200-FB2-3	5651	40,7	139	- 40 ÷ + 55°C
EXF400LED-1200-FB4-1	7625	57,5	133	- 40 ÷ + 55°C
EXF400LED-1200-FB4-2	9150	68,0	135	- 40 ÷ + 55°C
EXF400LED-1200-FB4-3	10675	79,7	134	- 40 ÷ + 55°C

Power supply 110-254V, 50-60Hz; 220-250V 0Hz (25E)

TYPE OF THE FIXTURE	LUMINOUS FLUX [lm]	POWER CONSUMPTION [W]	EFFICIENCY [lm/W]	AMBIENT TEMPERATURE [°C]
EXF400LED-0600-FB1	2993	25,0	120	- 40 ÷ + 55°C
EXF400LED-0600-FB2	5664	45,0	126	- 40 ÷ + 55°C
EXF400LED-1200-FB2	5974	45,0	133	- 40 ÷ + 55°C
EXF400LED-1200-FB4	11285	89,9	126	- 40 ÷ + 55°C

OPTIONAL VERSIONS: ZB- version with a driver for central battery

MEAN EMERGENCY LUMINOUS FLUX

35E (50% of nominal luminous flux)

TYPE	LUMINOUS FLUX [lm]
EXF400LED-0600-FB1-1	1011
EXF400LED-0600-FB1-2	1214
EXF400LED-0600-FB1-3	1416
EXF400LED-0600-FB2-1	1914
EXF400LED-0600-FB2-2	2297
EXF400LED-0600-FB2-3	2679
EXF400LED-1200-FB2-1	2018
EXF400LED-1200-FB2-2	2422
EXF400LED-1200-FB2-3	2826
EXF400LED-1200-FB4-1	3813
EXF400LED-1200-FB4-2	4575
EXF400LED-1200-FB4-3	5338

25E (100% of nominal luminous flux)

TYPE	LUMINOUS FLUX [lm]
EXF400LED-0600-FB1	2993
EXF400LED-0600-FB2	5664
EXF400LED-1200-FB2	5974
EXF400LED-1200-FB4	11285

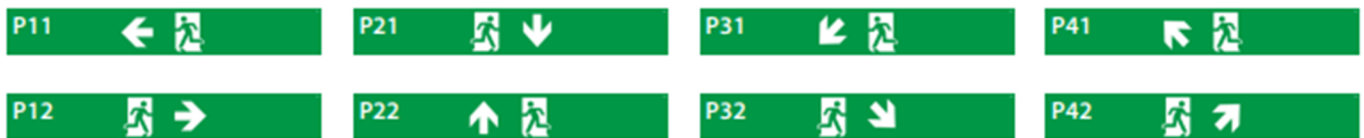
VERSION WITH PICTOGRAM

Selfadhesive pictograms can be added optionally.

Pictogram dimensions: 600x85mm [LxH]

Pictogram brightness >200 cd/m²

Version with pictogram can be chosen only for FB1 fixture type.



PHOTOMETRY

