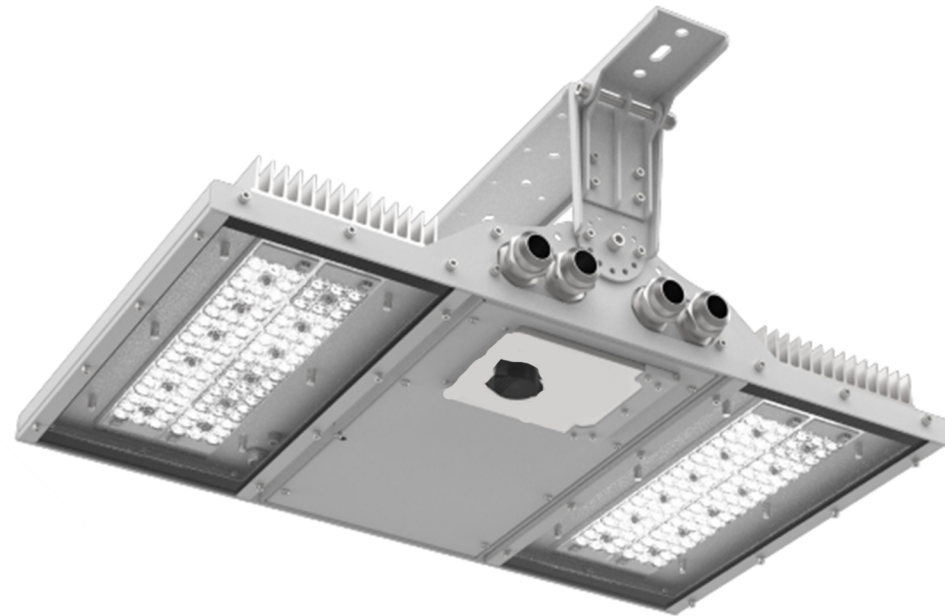


TUNNEL LIGHT FITTINGS



EN-60658-2-22 CERTIFICATE:

CNBOP no. 4371/2021

MECHANICAL PARAMETERS

Housing: stainless steel
Diffuser: tempered glass
Protection class: IP66
Protection level: I
Radiators: aluminium
Access: using a key
Colour temperature: 4000K, CRI>70

OTHER

Lifetime: 100,000h L80 B10
Ambient temperature: -40°C to +60°C

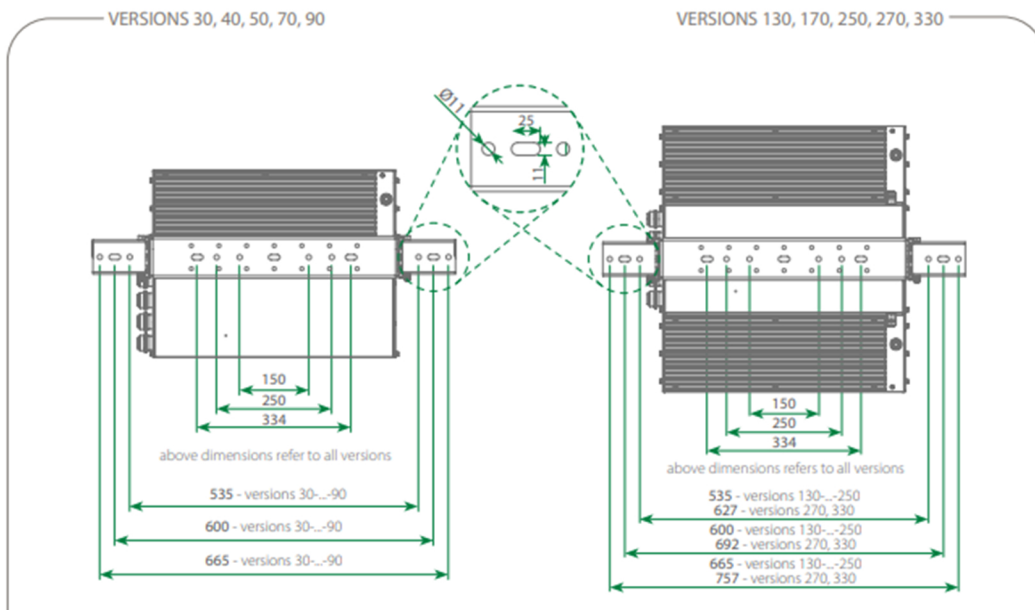
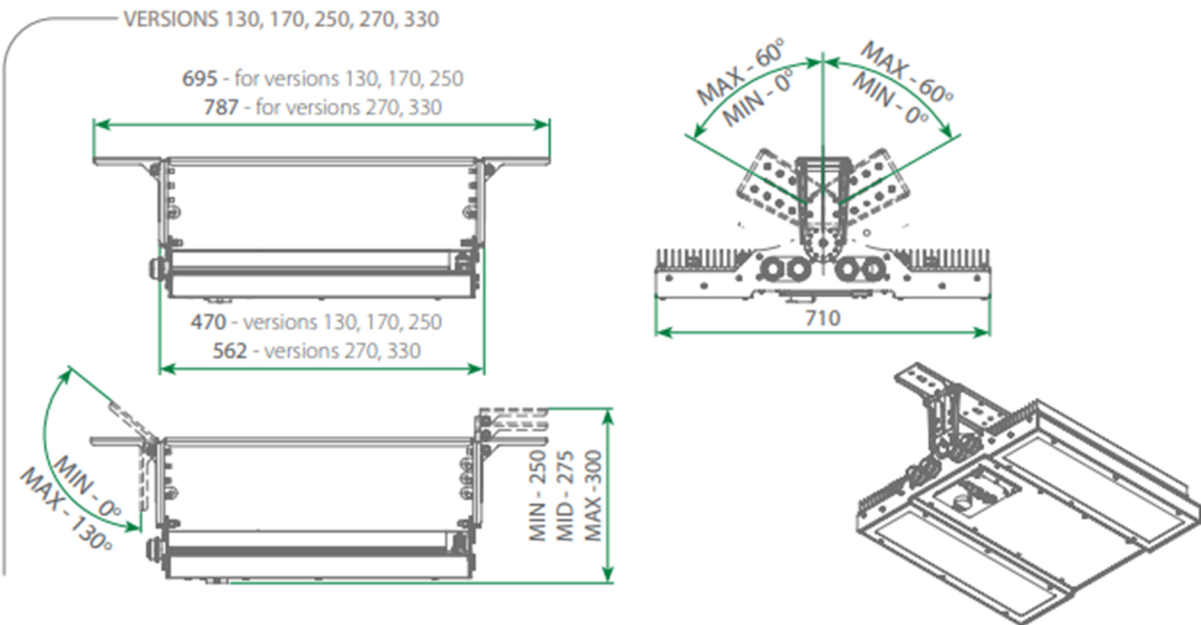
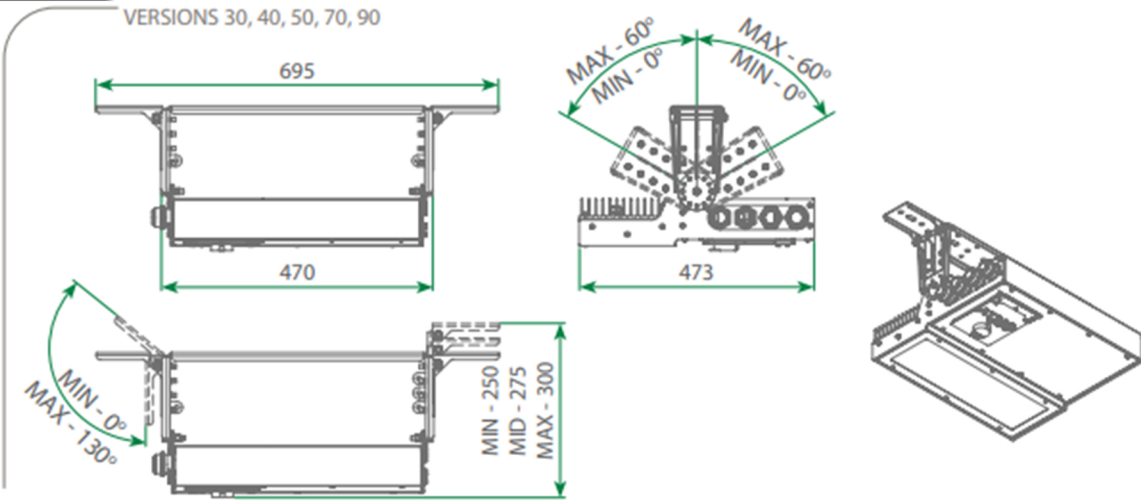
ELECTRICAL PARAMETERS

Source of light: LED modules with ENEC certificate
Voltage: 210-250V 50/60Hz | 210-250VDC
Connection terminals: 7 x 10mm²
Overvoltage protection: 6kV
Control system: integrated DALI driver

TNL440LED light fitting has been equipped with an inspection flap providing easy access to the inside.



DIMENSIONS



TYPES COMPARISON

TYPE	LUMINOUS FLUX [lm]	POWER SUPPLY [W]	EFFICIENCY [lm/W]	MAX AMB. TEMPERATURE [°C]
TNL440LED-030-HB4	4094	28,0	146,2	60
TNL440LED-040-HB4	5842	39,6	147,5	60
TNL440LED-050-HB4	6908	46,5	148,6	55
TNL440LED-070-HB4	9185	62,1	147,9	50
TNL440LED-090-HB4	12164	83,9	145,0	45
TNL440LED-130-HB8	17556	118,4	148,3	55
TNL440LED-170-HB8	21979	150,2	146,3	50
TNL440LED-250-HB8	28903	203,4	142,1	40
TNL440LED-270-HA8	35004	240,8	145,4	45
TNL440LED-330-HA8	41016	288,4	142,2	40
TNL440LED-400-HA10*	54874	357,6	153,5	40

The TNL440LED-400-HA10* is not subject to CNBOP certification.

PHOTOMETRY

