

CONCEPT BLUE



... for poultry farms, chemically resistant.

USE

Light fixtures fitted with our special blue light producing LED module are primarily designed **to be used in poultry farms**. The benefit of this specific colour is it calms the poultry and suppresses aggressive its behavior.

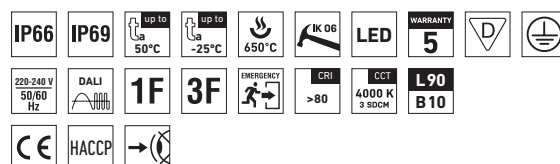
The light fixtures contain only the blue light LED module.

Our INNOVA, and FUTURA-range luminaires may be fitted with this module.

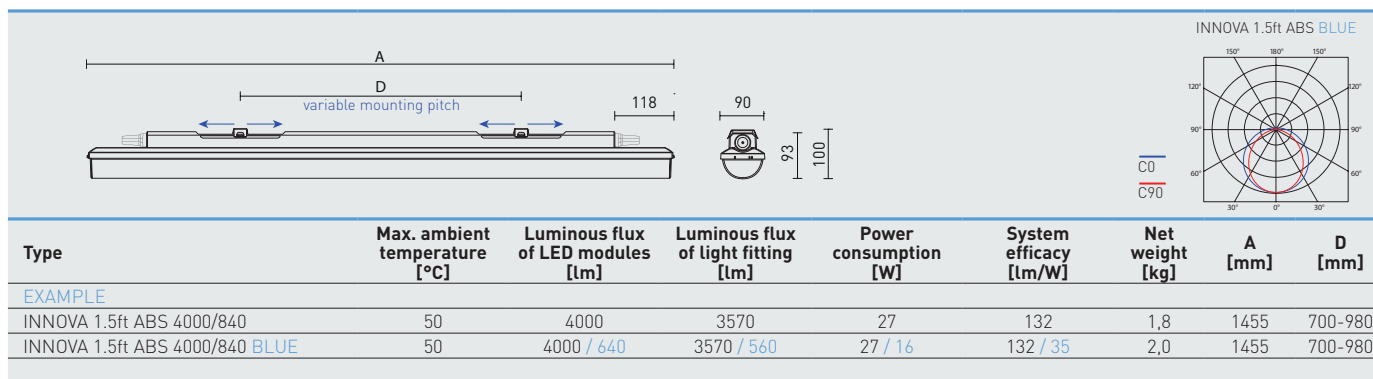
The light fixtures withstand exposure to chemically aggressive environments (ammonia in the air) typical of livestock farms.

The body made of ABS and the diffuser made of AC have increased chemical resistance. In addition to being protected against dust and humidity (IP66), the fixtures boast excellent thermal resistance, withstanding temperatures up to 50 °C.

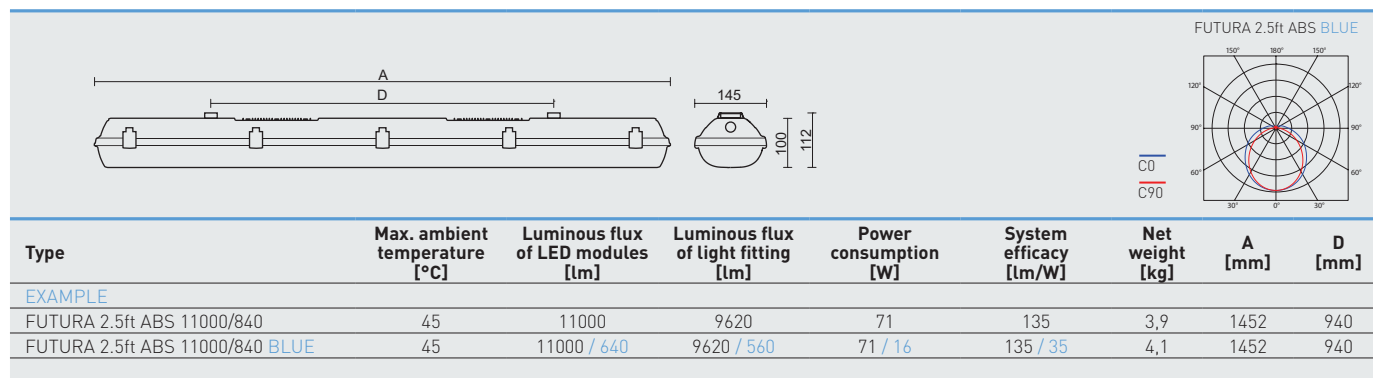
IP69-rated, our INNOVA-range fittings may be washed using hot water (up to 80 °C).



INNOVA



FUTURA



LUMINAIRES FITTED WITH A BLUE LIGHT MODULE - DEMO

