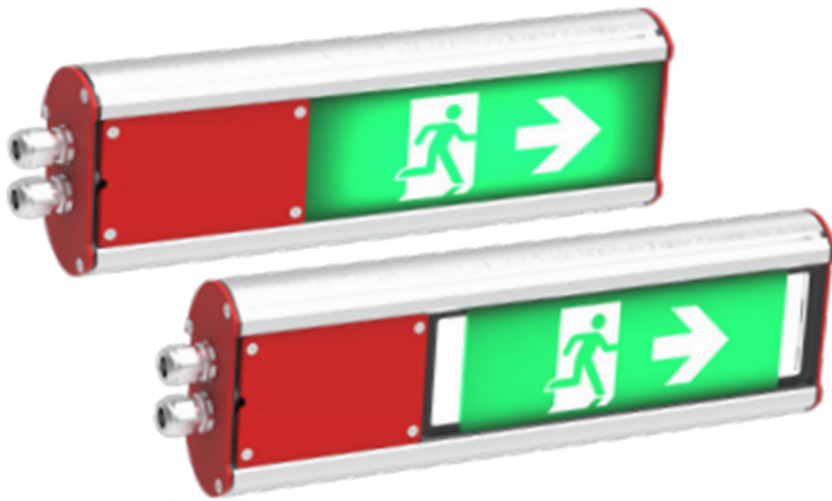


ZONE 21, & 2, 22 EXPLOSIONPROOF LIGHT FITTINGS



REFINERIES



FUEL TANKS



CHEMICAL PLANTS



CHEMICAL WAREHOUSES



PASSAGEWAYS IN EX ZONES



Standard version



II 3G Ex ec IIC T6/T5 Gc
II 2D Ex tb IIIC T75°C/T100°C Db

EX MARKING: Execution for high operating temperatures



II 3G Ex ec IIC T6/T5 Gc
II 3D Ex tc IIIC T75°C/T100°C Dc

ATEX:

OBAC 21 ATEX 0060X

MECHANICAL PARAMETERS

Housing: anodized aluminium
Diffuser: tempered glass, polycarbonate, PMMA
Ingress protection: IP66/ IP67
Protection class: I
Mounting: different mountings (check mountings)
Accessibility: revision cover

WORK PARAMETERS

Ambient temperature: -40°C up to max. +60°C (check types comparison)
Lifetime: >70.000hL80B10

ELECTRICAL PARAMETERS

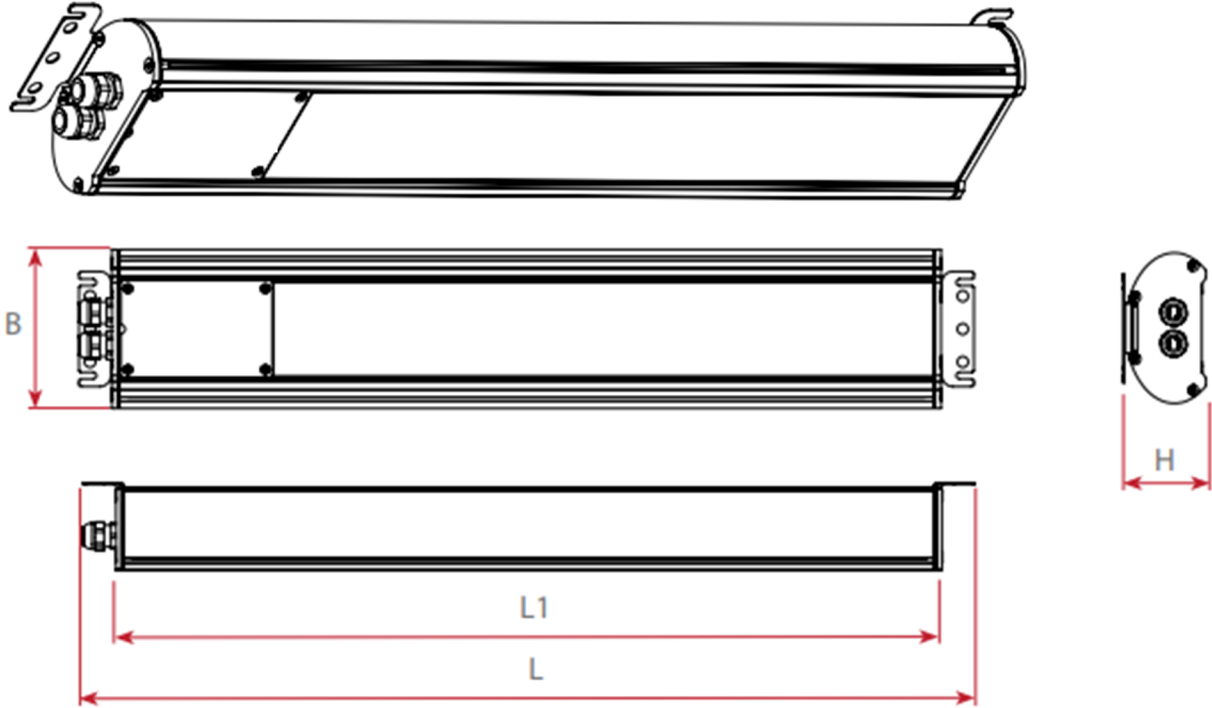
Connection terminals: 2,5 mm²
Input voltage: 220-240V 0,50-60Hz
Light source: certified LED modules
Power factor: >0,97
Cable inlets: Ø20 or Ø25
Overvoltage protection: 2kV

PHOTOMETRICAL PARAMETERS

CRI: >80
Colour temperature: 4000K, 6500K- optionally



DIMENSIONS



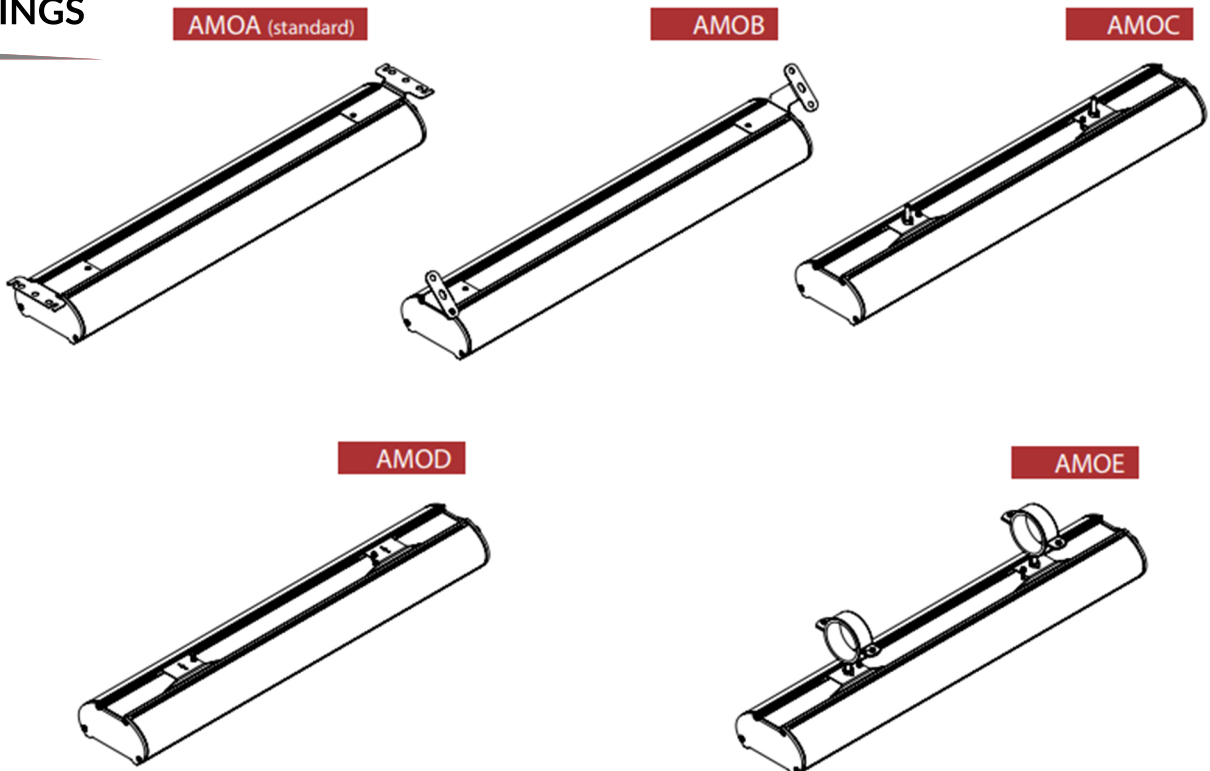
REGULAR VERSION

TYPE	L	L1	H	B
EX-IT-400LED-0300	549	475	75	145

EMERGENCY VERSION

TYPE	L	L1	H	B
EX-IT-400LED-0300-..-A3	599	525	75	145

MOUNTINGS



TYPES COMPARISON

TYPES COMPARISON NB OPTICS

TYPE	LUMINOUS FLUX [lm]	POWER CONSUMP. [W]	EFFICIENCY [lm/W]	AMBIENT TEMP./TEMP. CLASS
EX-IT-400LED-0300-E1-2	1395	10,5	133	+45°C/T6 or +60°C/T5
EX-IT-400LED-0300-E2-1	2351	16,8	140	+45°C/T6 or +60°C/T5

TYPES COMPARISON WB OPTICS


TYPE	LUMINOUS FLUX [lm]	POWER CONSUMP. [W]	EFFICIENCY [lm/W]	AMBIENT TEMP./TEMP. CLASS
EX-IT-400LED-0300-E1-2	1359	10,5	129	+45°C/T6 or +60°C/T5
EX-IT-400LED-0300-E2-1	2291	16,8	136	+45°C/T6 or +60°C/T5

TYPES COMPARISON WB OPTICS - 24VDC version

TYPE	LUMINOUS FLUX [lm]	POWER CONSUMP. [W]	EFFICIENCY [lm/W]	AMBIENT TEMP./TEMP. CLASS
EX-IT-400LED-0300-I1	1591	13,2	121	+45°C/T6 or +50°C/T5
EX-IT-400LED-0300-I2	3182	26,4	121	+45°C/T6 or +50°C/T5



Emergency power module:

 II 3G Ex ec IICT6 Gc
II 2D Ex tb IIIC T75°C Db

Optional 3-hour emergency power module.

The fixture can work in the temperature range from -20°C up to +45°C.

Charging of the battery has to be processed in temperature range from 0°C up to +45°C.

type	luminous flux [lm]	max. ambient temperature [°C]
EX-IT-400LED-0300-...-A3	550	45
EX-IT-400LED-0600-...-A3	585	45



Central battery:

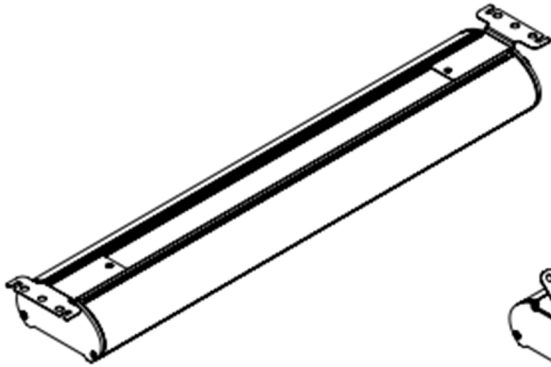
Optional version compatible with central battery.

Standard emergency luminous flux for version compatible with central battery (ZB) is 50% of referal luminous flux from types comparison tables.

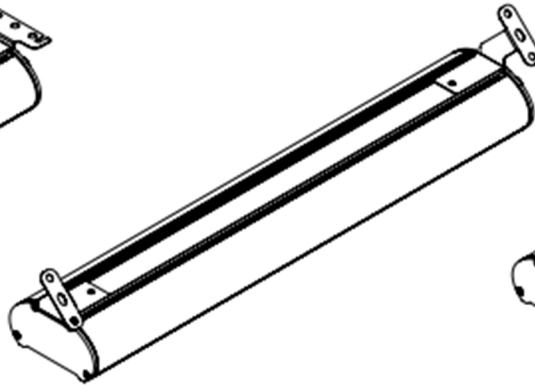
type	luminous flux [lm]	max. ambient temperature [°C]
EX-IT-400LED-0300-...-A3	550	45
EX-IT-400LED-0600-...-A3	585	45

MOUNTINGS

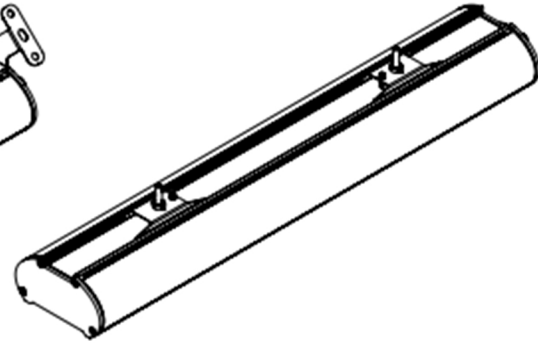
AMOA (standard)



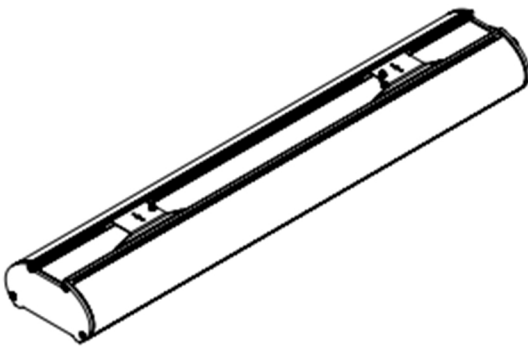
AMOB



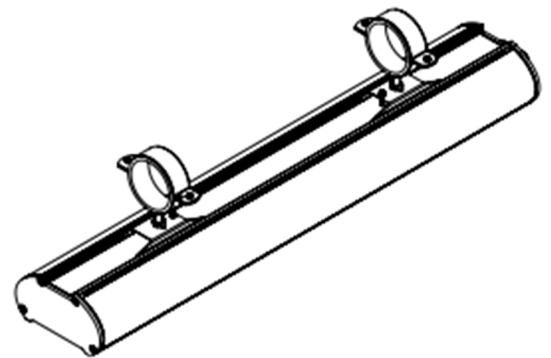
AMOC



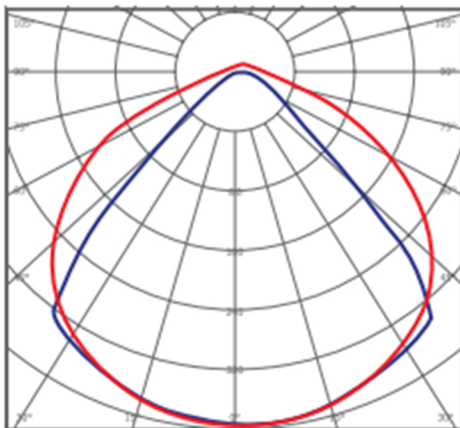
AMOD



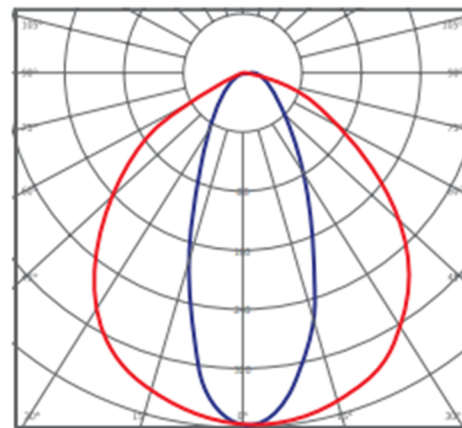
AMOE



PHOTOMETRY



WB



NB