

HLX BULKHEAD ZONES **1** **2** **21** **22**

PRODUCT INFORMATION

The HLX LED Bulkhead is a compact, versatile, and robust light ideal for safely illuminating walkways, steps and entrances within hazardous areas. ATEX, IECEx and UKCA certified for safe use in Zones 1/21, all models in the range feature Wolf's unique, patented Directional Linear Optics (DLO) technology, which means the beam can be directed exactly where needed, with no light overspill or wasted light, and there's low glare - even when installed at eye level.



FEATURES & BENEFITS

LIGHT OUTPUT

Directional Linear Optics (DLO) technology ensures low glare, even when installed at eye level
Available with a 90° beam angle as standard (110° also available upon request)
Different versions offer a range of light output from 1,086 to 1,629 lumens

CERTIFICATIONS/SPECIFICATIONS

ATEX, IECEx and UKCA certified for gas Zone 1 and Dust Zone 21
Versions with extremely wide operating temperatures available -50°C to +65°C make the LBX Bulkhead suitable for even the most inhospitable of regions
An IP67 rating means the LBX Bulkhead is suitable for both indoor and outdoor use

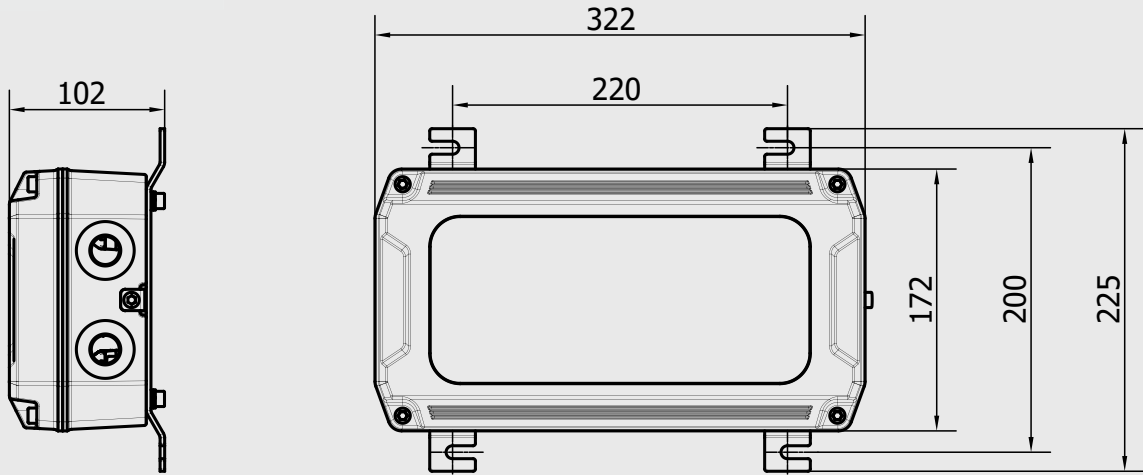
FEATURES

Simple design ensures quick and easy installation and maintenance
Four gland apertures (2x each end) to support through wiring arrangements
Available as 110V and 230V versions
Robust and durable, cast aluminium body with toughened glass ensure long life and resistance to damage
Ultra long life LEDs - configured to give 100,000+ hours life
5 year warranty
IES files available upon request

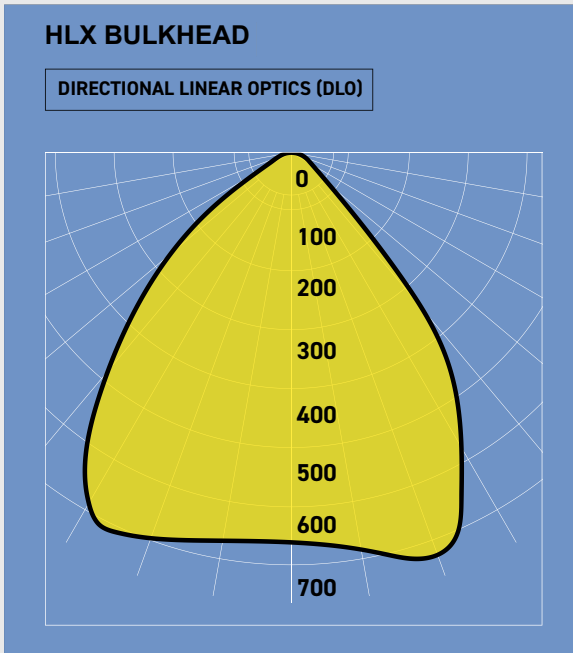
TECHNICAL INFORMATION

PRODUCT DIMENSIONS

HLX BULKHEAD



LIGHT OUTPUT DIAGRAM



HLX BULKHEAD TECHNICAL TABLE			
PRODUCT REFERENCE	HLXS-L-50	HLXS-L-55	HLXS-L-65
Code	II 2 G D Ex eb mb IIC T4 Gb Ex tb IIIC T80°C Db		
Certificate	ExVeritas 19 ATEX 0439X / IECEx EXV 19.0002X / ExVeritas 21 UKEX 0945X		
Input Voltage Range	88 - 140V AC; 180 - 277 V AC		
Input Power (W)	24W	24W	16W
Frequency	50 - 60 Hz		
Power Factor	>0.90		
Lumen Output (Max)*	1,629	1,629	1,086
LED Module & QTY	1x Double Bulkhead DLO		
Beam Angles	90° (110° upon request)		
Ingress Protection	IP67		
Gas Temp. Class	T4		
Dust Surface Temp.	T80 °C		
Lower Temp. Limit	-50°C		
Upper Temp. Limit	50 °C	55 °C	65 °C

*Lumen output figures stated are for 230V AC

All information has been gathered under laboratory conditions, the user must regard the values given as approximate. Changes may be made to the above specification without notification, details are available on request. E&OE.



Hazardous Lighting Solutions LTD
Unit 8, Tanhouse Lane, Widnes, WA8 0ZA, UK

T: +44 (0) 151 422 0184
E: Sales@hazlite.com