

EXPLOSIONPROOF LIGHT FITTINGS



REFINERIES



OFFSHORE



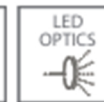
CHEMICAL
PLANTS



CHEMICAL
WAREHOUSES



DESTILERIES



EX MARKING:



II 3G Ex ec op is IIC T4 Gc

II 2D Ex tb op is IIIC T80°C Db

CERTIFICATES:

KDB 15ATEX0049X

IECEX KDB 20.0003X

MECHANICAL PARAMETERS

Housing: powder coated or brushed stainless steel

Diffuser: tempered glass

Ingress protection: IP65

Protection class: I

Mounting: using accessories

Accessories: bracket

WORK PARAMETERS

Ambient temperature: -40°C to +40°C

Lifetime: >70.000h L80 B10

ELECTRICAL PARAMETERS

Connection terminals: 2,5mm²

Input voltage: 230V, 0/50-60 Hz

Light source: intrinsically safe LED modules

Power factor: >0,97

Cable inlets: Ø20

Overvoltage protection: 2kV

PHOTOMETRICAL PARAMETERS

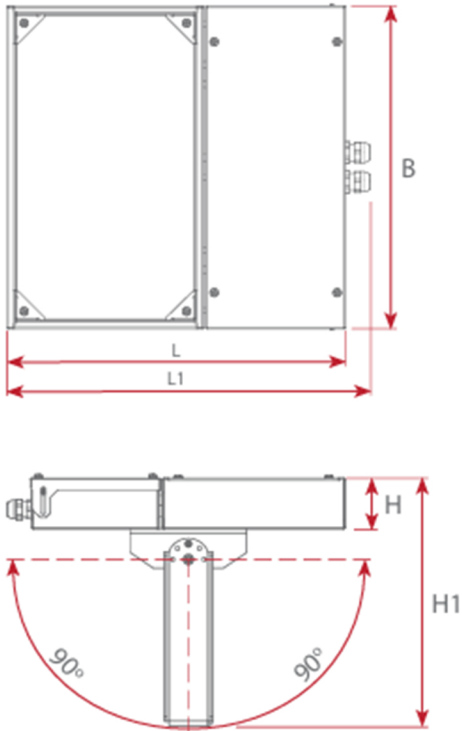
CRI: >80

Colour temperature: 4000K

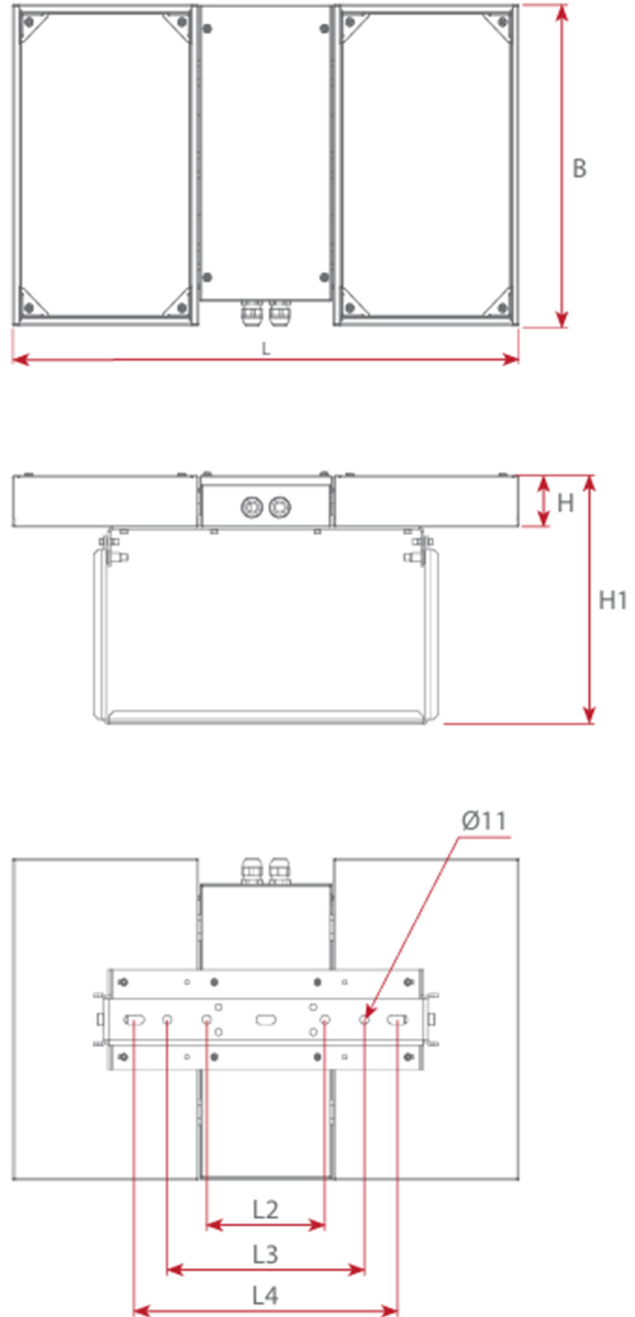


DIMENSIONS

EXL380LED-045-E4
single version



EXL380LED-090-E8, EXL380LED-130-E12
double version



TYPE	L	L1	L2	L3	L4	B	H
EXL380LED-045-E4	405	434	130	220	290	386	69
EXL380LED-090-E8	642	-	150	250	335	386	69
EXL380LED-130-E12	885	-	150	250	335	386	69

TYPES COMPARISON



REGULAR VERSIONS

TYPE OF THE FITTING	LUMINOUS FLUX [lm]	POWER CONSUMPTION [W]	EFFICIENCY [lm/W]	AMBIENT TEMPERATURE [°C]
EXL380LED-045-E4	6 570	53	125	-40 ÷ 40
EXL380LED-090-E8	13 244	98	138	-40 ÷ 40
EXL380LED-130-E12	19 215	146	133	-40 ÷ 40

NARROW-STREAM VERSIONS

TYPE OF THE FITTING	LUMINOUS FLUX [lm]	POWER CONSUMPTION [W]	EFFICIENCY [lm/W]	AMBIENT TEMPERATURE [°C]
EXL380LED-045-E4	7 423	53	140	-40 ÷ 40
EXL380LED-090-E8	13 299	98	138	-40 ÷ 40
EXL380LED-130-E12	20 748	146	143	-40 ÷ 40

PHOTOMETRY

