

ZONE 21, & 2, 22 EXPLOSIONPROOF LIGHT FITTINGS



REFINERIES



FUEL
TANKS



CHEMICAL
PLANTS



CHEMICAL
WAREHOUSES



PASSAGEWAYS
IN EX ZONES



Standard version



II 3G Ex ec IIC T6/T5 Gc
II 2D Ex tb IIIC T75°C/T100°C Db

EX MARKING: Execution for high operating temperatures



II 3G Ex ec IIC T6/T5 Gc
II 3D Ex tc IIIC T75°C/T100°C Dc

ATEX:

OBAC 21 ATEX 0060X

MECHANICAL PARAMETERS

- Housing:** anodized aluminium
- Diffuser:** tempered glass, polycarbonate, PMMA
- Ingress protection:** IP66/ IP67
- Protection class:** I
- Mounting:** different mountings (check mountings)
- Accessibility:** revision cover

WORK PARAMETERS

- Ambient temperature:** -40°C up to max. +60°C (check types comparison)
- Lifetime:** >70.000hL80B10

ELECTRICAL PARAMETERS

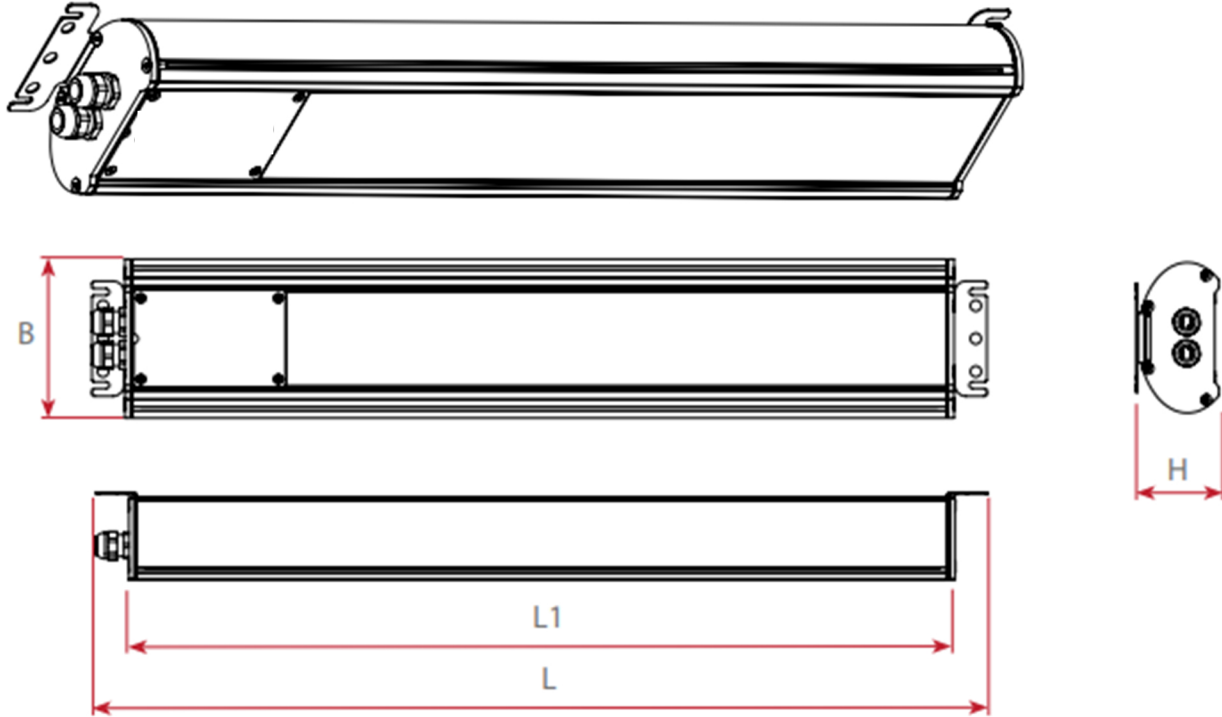
- Connection terminals:** 2,5 mm²
- Input voltage:** 220-240V 0,50-60Hz
- Light source:** certified LED modules
- Power factor:** >0,97
- Cable inlets:** Ø20 or Ø25
- Overvoltage protection:** 2kV

PHOTOMETRICAL PARAMETERS

- CRI:** >80
- Colour temperature:** 4000K, 6500K- optionally



DIMENSIONS



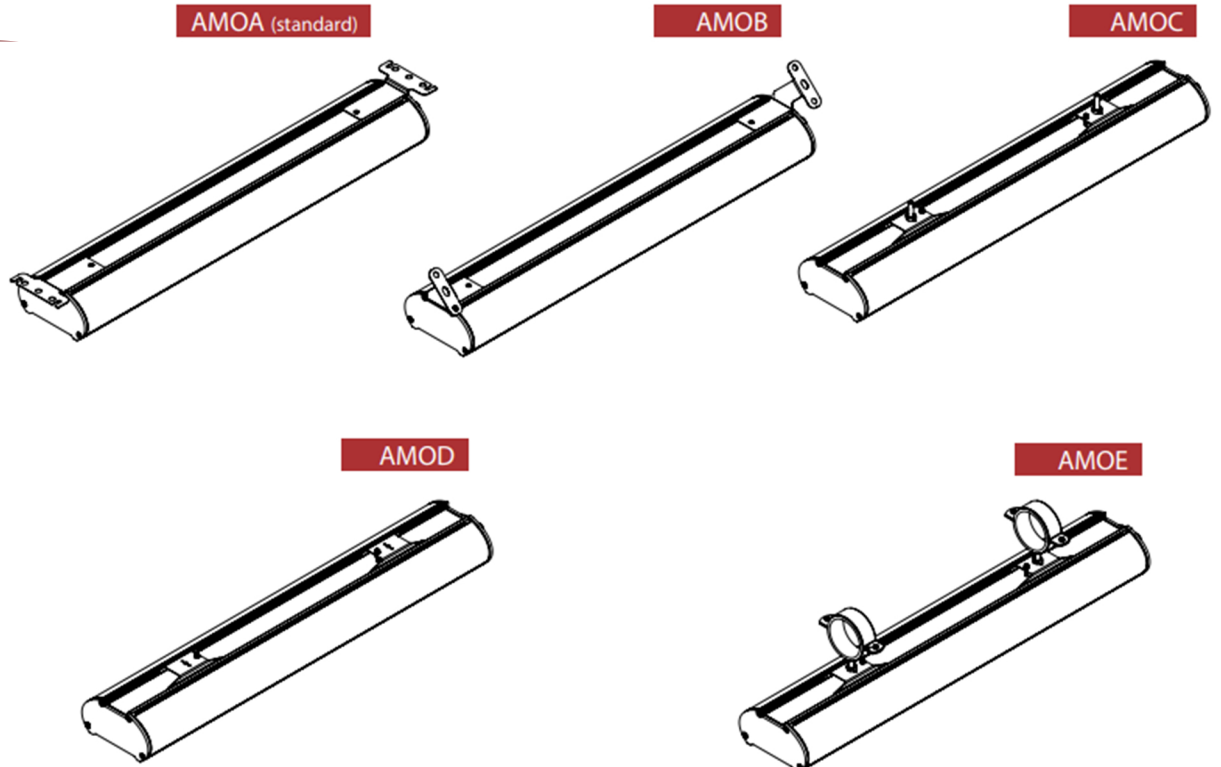
REGULAR VERSION

TYPE	L	L1	H	B
EXL400LED-0300	549	475	75	145
EXL400LED-0600	829	755	75	145
EXL400LED-1200	1389	1315	75	145
EXL400LED-1500	1669	1595	75	145

EMERGENCY VERSION

TYPE	L	L1	H	B
EXL400LED-0300-..-A3	599	525	75	145
EXL400LED-0600-..-A3	879	805	75	145
EXL400LED-1200-..-A3	1439	1365	75	145
EXL400LED-1500-..-A3	1719	1645	75	145

MOUNTINGS



TYPES COMPARISON

TYPES COMPARISON NB OPTICS

TYPE	LUMINOUS FLUX [lm]	POWER CONSUMP. [W]	EFFICIENCY [lm/W]	AMBIENT TEMP./TEMP. CLASS
EXL400LED-0300-E1-2	1395	10,5	133	+45°C/T6 or +60°C/T5
EXL400LED-0300-E2-1	2351	16,8	140	+45°C/T6 or +60°C/T5
EXL400LED-0600-E2-2	2810	19,8	142	+45°C/T6 or +60°C/T5
EXL400LED-0600-E2-3	3236	24	135	+45°C/T6 or +60°C/T5
EXL400LED-0600-E4-1	4735	33,7	141	+45°C/T6 or +60°C/T5
EXL400LED-0600-E4-2	5619	38,6	141	+45°C/T6 or +60°C/T5
EXL400LED-1200-E4-2	5340	38,6	138	+45°C/T6 or +60°C/T5
EXL400LED-1200-E4-3	6150	47	131	+45°C/T6 or +60°C/T5
EXL400LED-1200-E8-1	9000	64,8	139	+45°C/T6 or +60°C/T5
EXL400LED-1200-E8-2	10680	80	134	+45°C/T6 or +60°C/T5
EXL400LED-1200-E8-3	12300	93,5	132	+45°C/T6 or +60°C/T5
EXL400LED-1500-E5-2	6675	48	139	+45°C/T6 or +60°C/T5
EXL400LED-1500-E5-3	7688	59	130	+45°C/T6 or +60°C/T5
EXL400LED-1500-E10-1	11250	80,0	141	+45°C/T6 or +60°C/T5

TYPES COMPARISON WB OPTICS



TYPE	LUMINOUS FLUX [lm]	POWER CONSUMP. [W]	EFFICIENCY [lm/W]	AMBIENT TEMP./TEMP. CLASS
EXL400LED-0300-E1-2	1359	10,5	129	+45°C/T6 or +60°C/T5
EXL400LED-0300-E2-1	2291	16,8	136	+45°C/T6 or +60°C/T5
EXL400LED-0600-E2-2	2738	19,8	138	+45°C/T6 or +60°C/T5
EXL400LED-0600-E2-3	3154	24	131	+45°C/T6 or +60°C/T5
EXL400LED-0600-E4-1	4615	33,7	137	+45°C/T6 or +60°C/T5
EXL400LED-0600-E4-2	5477	38,6	135	+45°C/T6 or +60°C/T5
EXL400LED-1200-E4-2	5198	38,6	135	+45°C/T6 or +60°C/T5
EXL400LED-1200-E4-3	5986	47	127	+45°C/T6 or +60°C/T5
EXL400LED-1200-E8-1	8760	64,8	135	+45°C/T6 or +60°C/T5
EXL400LED-1200-E8-2	10395	80	130	+45°C/T6 or +60°C/T5
EXL400LED-1200-E8-3	11972	93,5	128	+45°C/T6 or +60°C/T5
EXL400LED-1500-E5-2	6497	48	135	+45°C/T6 or +60°C/T5
EXL400LED-1500-E5-3	7483	59	127	+45°C/T6 or +60°C/T5
EXL400LED-1500-E10-1	10950	80,0	137	+45°C/T6 or +60°C/T5

TYPES COMPARISON WB OPTICS - 24VDC version

TYPE	LUMINOUS FLUX [lm]	POWER CONSUMP. [W]	EFFICIENCY [lm/W]	AMBIENT TEMP./TEMP. CLASS
EXL400LED-0300-I1	1591	13,2	121	+45°C/T6 or +50°C/T5
EXL400LED-0300-I2	3182	26,4	121	+45°C/T6 or +50°C/T5
EXL400LED-0600-I2	3204	26,4	121	+45°C/T6 or +50°C/T5
EXL400LED-0600-I4	6408	52,8	121	+45°C/T6 or +50°C/T5
EXL400LED-1200-I4	6090	52,8	115	+45°C/T6 or +50°C/T5
EXL400LED-1200-I8	12180	105,6	115	+45°C/T6 or +50°C/T5
EXL400LED-1500-I5	7613	66,0	115	+45°C/T6 or +50°C/T5
EXL400LED-1500-I10	15225	132,0	115	+45°C/T6 or +50°C/T5

EMERGENCY VERSION


For more information please see separate data sheet.

Emergency power module:  **3h**  II 3G Ex ec II CT6 Gc
II 2D Ex tb IIIC T75°C Db

Optional 3-hour emergency power module.

The fixture can work in the temperature range from -20°C up to +45°C.
Charging of the battery has to be processed in temperature range from 0°C up to +45°C.

type	luminous flux [lm]	max. ambient temperature [°C]
EXL400LED-0300-...-A3	550	45
EXL400LED-0600-...-A3	585	45
EXL400LED-1200-...-A3	560	45
EXL400LED-1500-...-A3	565	45

Central battery:  **ZB**

Optional version compatible with central battery.

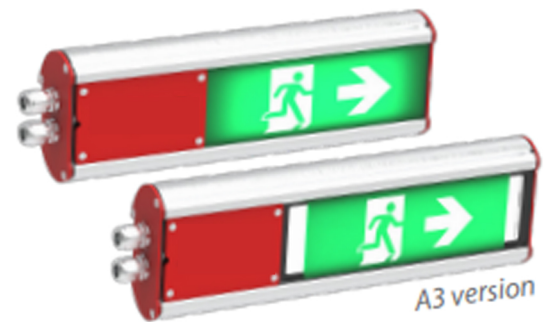
Standard emergency luminous flux for version compatible with central battery (ZB) is 50% of referal luminous flux from types comparison tables.

type	standard luminous flux ratio	max. ambient temperature [°C]
EXL400LED-0300-...-ZB	50%	45 / 60
EXL400LED-0600-...-ZB	50%	45 / 60
EXL400LED-1200-...-ZB	50%	45 / 60
EXL400LED-1500-...-ZB	50%	45 / 60

VERSION WITH A PICTOGRAM

The pictogram is selected according to the individual needs of the project.

Pictogram dimensions: 300x85mm [LxB]
Pictogram brightness: >200 cd/m2



PHOTOMETRY

