

## ZONE 21 & 2, 22



REFINERIES



OFFSHORE



CHEMICAL PLANTS



CHEMICAL WAREHOUSES



VENT PLUG



IK10



IK09



ZONE 21 & 2,22



IP66



IP67



150 lm/W



NARROW BEAM



WIDE BEAM



ZB



CONTROL SYSTEM  
DALI



PROTECTION GRID

### MECHANICAL PARAMETERS

- Housing:** Anodized aluminum
- Diffuser:** Hardened glass
- Ingress protection:** IP66, IP67
- Protection class:** I
- Shock resistance:** GL: IK09, PC:IK10
- Mounting:** On the bracket
- Mounting accessories:** Variable mounting options
- Optional accessories:** Protection grid, vent plugs

### WORK PARAMETERS

- Ambient temperatures:** -40°C up to +65°C
- Lifetime:** >50.000h L80 B10  
>70.000h L70 B10

### ELECTRICAL PARAMETERS

- Connection terminals:** 2,5mm<sup>2</sup>  
6,0mm<sup>2</sup>-optional
- Input voltage 24E:** 100-277 V, 50-60 Hz  
voltage + 10%
- Input voltage 35E:** 100-277 V, 50-60 Hz  
+230-431 V, 0 Hz  
voltage + 10%
- Light source:** Intrinsically safe LED  
modules
- Power factor:** >0,98
- Cable inlets:** Ø20, Ø25
- Overvoltage protection:** 24E: L-N 6kV,  
L-PE 10kV  
35E: L-N 4kV,  
L-PE 6kV

## TYPES COMPARISON

### VERSION WITH TEMPERED GLASS DIFFUSER (GL)

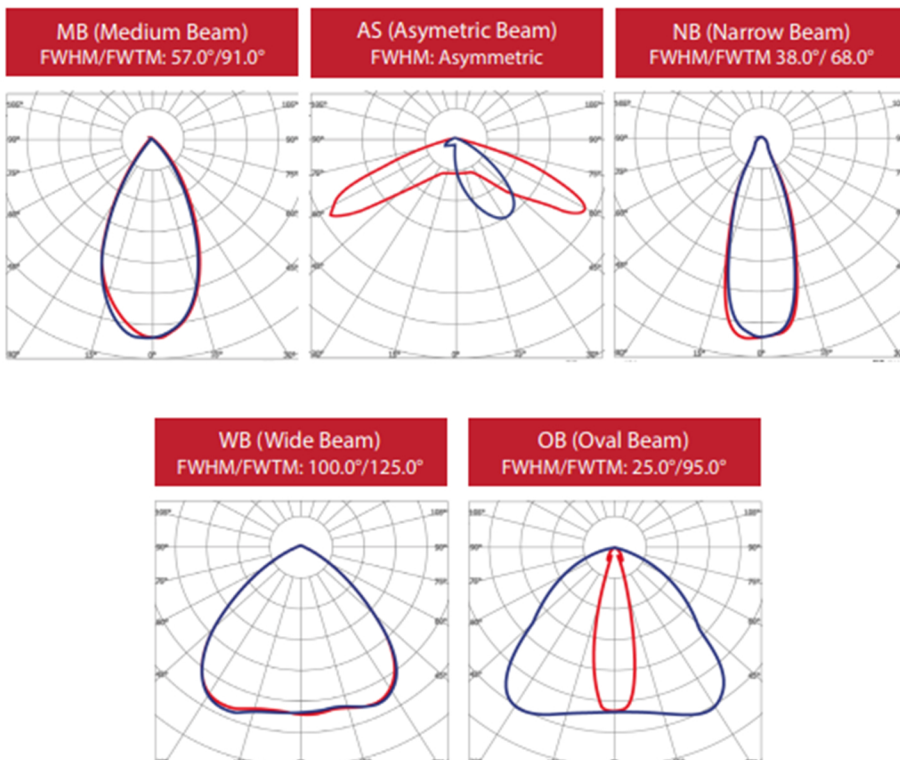
| TYPE            | LUMINOUS FLUX*<br>[lm] | POWER CONSUMP.<br>[W] | EFFICIENCY<br>[lm/W] | AMBIENT TEMPERATURE [°C]      | TEMP. CLASS /<br>MAX. SURFACE<br>TEMPERATURE |
|-----------------|------------------------|-----------------------|----------------------|-------------------------------|--|
| EXL450LED-EX2-1 | 16000                  | 103                   | 155                  | -40°C ÷ +60 (35E) / +65 (24E) | T6/T80 °C                                    |
| EXL450LED-EX2-2 | 22000                  | 153                   | 144                  | -40°C ÷ +55 (35E) / +60 (24E) | T5/T80 °C                                    |
| EXL450LED-EX3-1 | 24000                  | 155                   | 155                  | -40°C ÷ +60 (35E) / +65 (24E) | T5/T80 °C                                    |
| EXL450LED-EX3-2 | 34000                  | 238                   | 143                  | -40°C ÷ +45 (35E) / +50 (24E) | T4/T105 °C                                   |
| EXL450LED-EX4-1 | 31500                  | 207                   | 152                  | -40°C ÷ +50 (35E) / +55 (24E) | T5/T80 °C                                    |

### VERSION WITH POLYCARBONATE DIFFUSER (PC)

| TYPE            | LUMINOUS FLUX*<br>[lm] | POWER CONSUMP.<br>[W] | EFFICIENCY<br>[lm/W] | AMBIENT TEMPERATURE<br>[°C] | TEMP. CLASS /<br>MAX. SURFACE<br>TEMPERATURE |
|-----------------|------------------------|-----------------------|----------------------|-----------------------------|--|
| EXL450LED-EX2-1 | 16000                  | 103                   | 155                  | -40°C ÷ +45                 | T6/T80 °C                                    |
| EXL450LED-EX2-2 | 22000                  | 153                   | 144                  | -40°C ÷ +40                 | T5/T80 °C                                    |
| EXL450LED-EX3-1 | 24000                  | 155                   | 155                  | -40°C ÷ +45                 | T5/T80 °C                                    |
| EXL450LED-EX3-2 | 34000                  | 238                   | 143                  | -40°C ÷ +40                 | T4/T105 °C                                   |
| EXL450LED-EX4-1 | 31500                  | 207                   | 152                  | -40°C ÷ +45                 | T5/T80 °C                                    |

\*Luminous flux is indicated for LED modules CRI 70.  
The luminous flux for the version ZB equals the nominal (100%).

## DISTRIBUTION CURVES



## PHOTOMETRICAL PARAMETERS

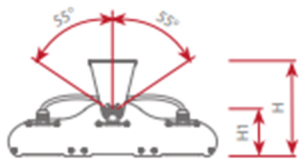
**CRI:** >70, >80 optionally

**Colour temperature:** 4000k,  
6500k

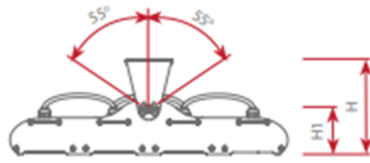
**Light pulsation:** SVM<0,0016  
acc. with IEC TR 61547-1:2020

**Flicker indicator:** PstLM  
<0,187  
acc. with IEC TR 61547-1:2020

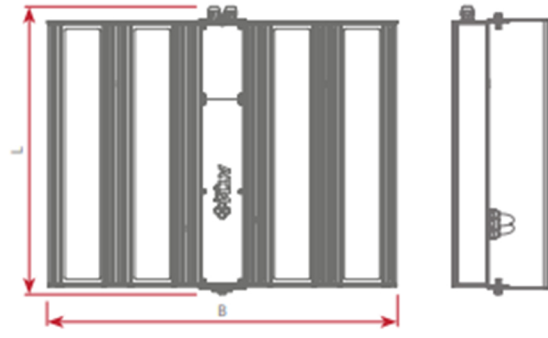
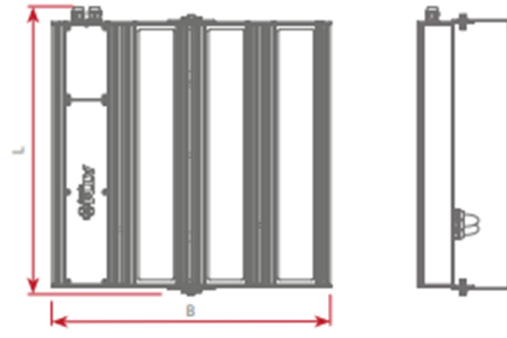
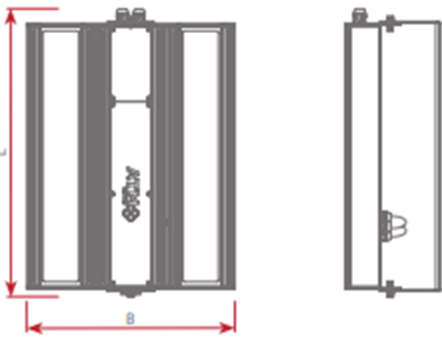
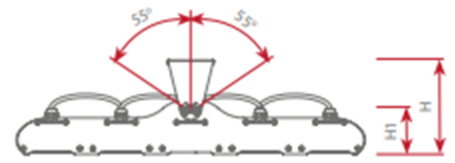
## VERSION EX2



## VERSION EX3



## VERSION EX4

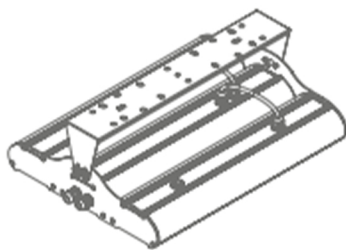
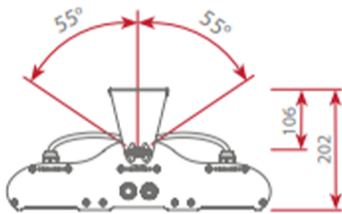


| TYPE          | L   | B   | H   | H1 | D   | D1  | D2  | D3  | Weight [kg] |
|---------------|-----|-----|-----|----|-----|-----|-----|-----|-------------|
| EXL450LED-EX2 | 606 | 435 | 202 | 97 | 440 | 380 | 340 | 280 | 10          |
| EXL450LED-EX3 | 606 | 585 | 202 | 97 | 440 | 380 | 340 | 280 | 13          |
| EXL450LED-EX4 | 606 | 735 | 202 | 97 | 440 | 380 | 340 | 280 | 16          |

## MOUNTINGS

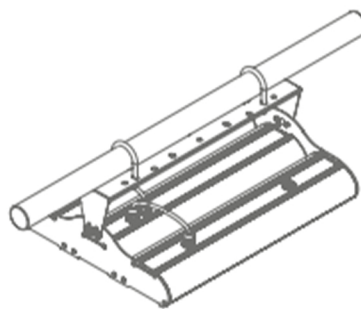
### AMO90

standard



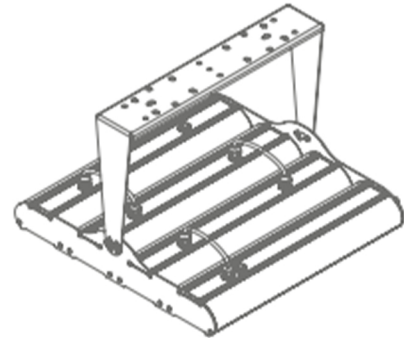
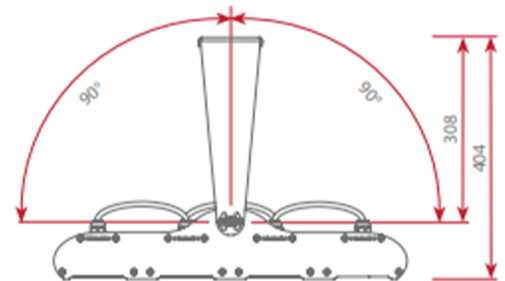
### AMO360

optional



### AMO180

optional



Optional DA version of the light fitting is equipped with an integrated power supply unit with DALI interface, which allows to control parameters of lighting - depending on data from motion sensors or BIM settings. Properly configured lighting control system can significantly reduce costs of energy and improve the ergonomics of users.