



Hazardous
Lighting Solutions LTD



EXF400LED

Explosionproof light fitting with
an emergency power module A3 or A1



FUEL TANKS



CHEMICAL
WAREHOUSES



PASSAGEWAYS



CHEMICAL



REFINERIES



II 2G Ex eb mb IIC T5 Gb
II 2D Ex tb IIIC T85°C Db

Certificate: CNBOP 5856/2025
ATEX KDB 25 ATEX 0012X

MECHANICAL FEATURES

- Housing:** Anodized aluminium
- Diffuser:** Tempered glass, polycarbonate, polymethyl methacrylate
- Protection:** IP66/IP67
- Protection class:** I
- Accessibility:** Revision cover

ELECTRICAL FEATURES

- Connection terminals:** 2,5mm² or 4mm²- optionally
- Input voltage:** 34E: 220-240V 50-60Hz
44E: 110-127V 50-60Hz
- Light source:** Intrinsically safe LED modules
- Power factor:** >0,95
- Cable inlets:** Ø20 or Ø25
- Overvoltage protection:** 1kV (L-N), 2kV (I-PE)

WORK PARAMETERS

- Ambient Temperatures:** -40°C to max. +55°C
- Lifetime:** >85.000h L80 B10
>100.000h L70 B10

PHOTOMETRICAL PARAMETERS

- CRI:** >84
- Colour temperature:** 4000K, 6500K-option

TYPES COMPARISON

VOLTAGE 220-240V, 50-60Hz (34E)

TYPE	LUMINOUS FLUX [lm]	POWER CONSUM. [W]	EFFICIENCY [lm/W]	MAX. TEMP. / TEMP. CLASS
EXF400LED-0600-FC1-1	2022	16.4	123	-40 - +55°C
EXF400LED-0600-FC1-2	2427	19.4	125	-40 - +55°C
EXF400LED-0600-FC1-3	2831	22.1	128	-40 - +55°C
EXF400LED-0600-FC2-1	3827	30.3	126	-40 - +55°C
EXF400LED-0600-FC2-2	4593	36.0	128	-40 - +55°C
EXF400LED-0600-FC2-3	5358	41.7	128	-40 - +55°C
EXF400LED-1200-FC2-1	4036	30.3	133	-40 - +55°C
EXF400LED-1200-FC2-2	4844	36.0	135	-40 - +55°C
EXF400LED-1200-FC2-3	5651	41.7	136	-40 - +55°C
EXF400LED-1200-FC4-1	7625	57.6	132	-40 - +55°C
EXF400LED-1200-FC4-2	9150	68.9	133	-40 - +55°C
EXF400LED-1200-FC4-3	10675	80.2	133	-40 - +55°C

VOLATGE 110-127V, 50-60Hz (45E)

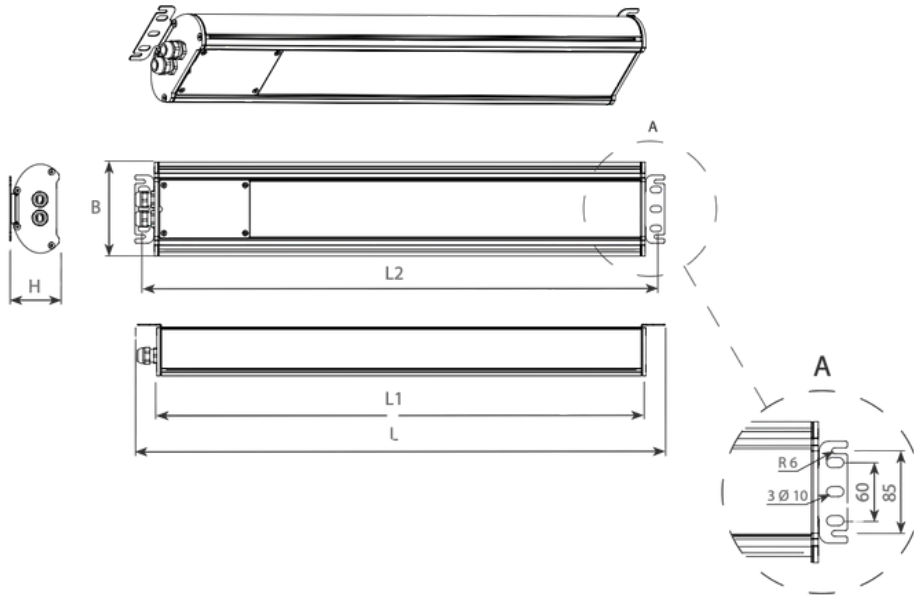
TYPE	LUMINOUS FLUX [lm]	POWER CONSUM. [W]	EFFICIENCY [lm/W]	MAX. TEMP. / TEMP. CLASS
EXF400LED-0600-FC1	3123	25.1	124	-40 ÷ +55°C
EXF400LED-0600-FC2	5664	47.4	120	-40 ÷ +55°C
EXF400LED-1200-FC2	5974	47.4	126	-40 ÷ +55°C
EXF400LED-1200-FC4	11285	94.0	120	-40 ÷ +55°C

MAXIMUM NUMBER OF LINEARLY CONNECTED LUMINAIRES

Power Supply	B16	C16	Max. Starting Current	Starting Time
35E	27	45	4A	< 1300 µs
45E	24	40	22A	< 200 µs

DIMENSIONS

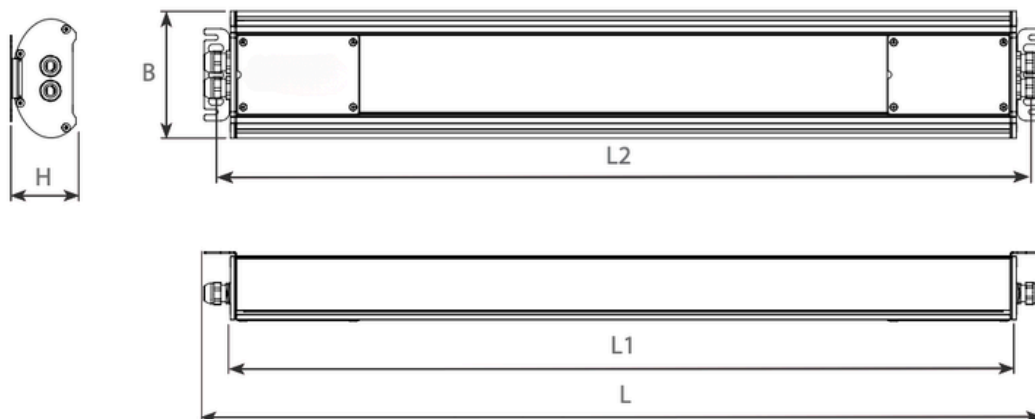
STANDARD ONE SIDED VERSION



TYPE	L	L1	L2	H	B	Weight [kg]
EXF400LED-0600	825	755	795	75	145	~ 7,0
EXF400LED-1200	1385	1315	1355	75	145	~ 10,5

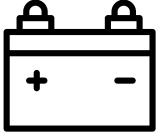
DIMENSIONS

TWO- SIDED VERSION



TYPE	L	L1	L2	H	B	Weight [kg]
EXF400LED-0600	1035	965	1005	75	145	~ 7,5
EXF400LED-1200	1595	1525	1565	75	145	~ 11,0

OPTIONAL VERSION



CENTRAL BATTERY: Version adapted to be powered from central battery

MEAN EMERGENCY LUMINOUS FLUX

35E (50% OF NOMINAL FLUX)

TYPE	LUMINOUS FLUX [lm]
EXF400LED-0600-FC1-1	1011
EXF400LED-0600-FC1-2	1214
EXF400LED-0600-FC1-3	1416
EXF400LED-0600-FC2-1	1914
EXF400LED-0600-FC2-2	2297
EXF400LED-0600-FC2-3	2679
EXF400LED-1200-FC2-1	2018
EXF400LED-1200-FC2-2	2422
EXF400LED-1200-FC2-3	2826
EXF400LED-1200-FC4-1	3813
EXF400LED-1200-FC4-2	4575
EXF400LED-1200-FC4-3	5338

45E (100% OF NOMINAL FLUX)

TYPE	LUMINOUS FLUX [lm]
EXF400LED-0600-FC1	3123
EXF400LED-0600-FC2	5664
EXF400LED-1200-FC2	5974
EXF400LED-1200-FC4	11285



DALI-2 DRIVER: Version equipped with DALI-2 drive

3F

3- PHASE: Version with terminals L1, L2, L3, PE, N powered from L and N with voltage of 230V

VERSION WITH PICTOGRAM



The pictogram can be selected from the patterns below, or can be made to the customers special order

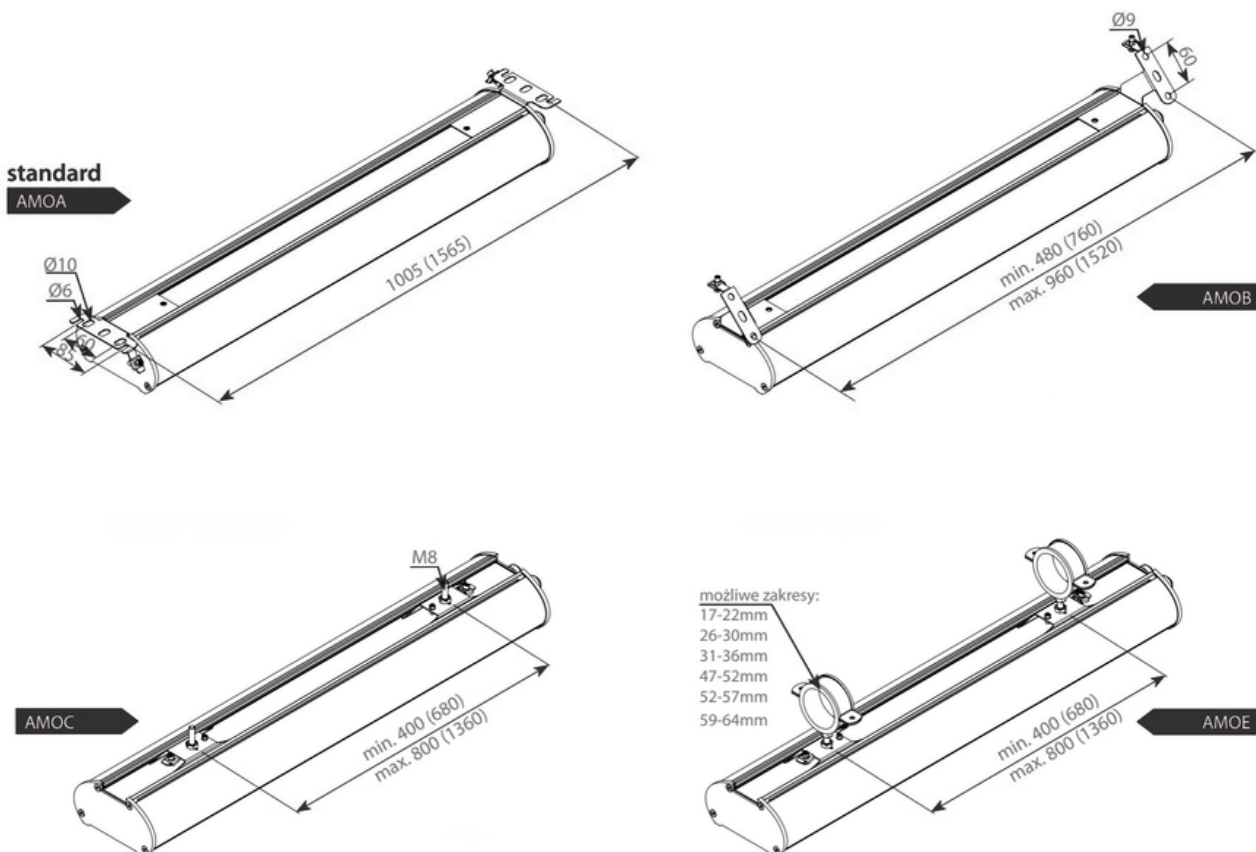


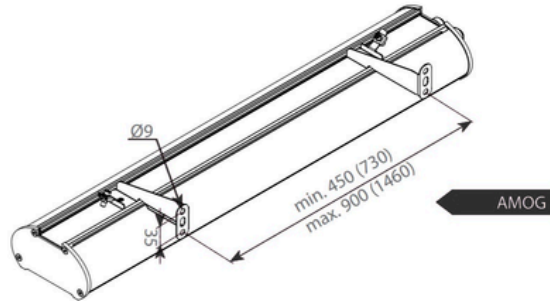
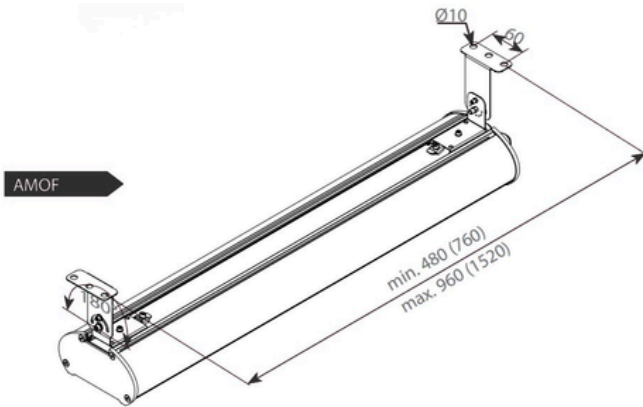
Pictogram dimensions: 600x85mm [LxB]

Pictogram brightness: >200 cd/m²

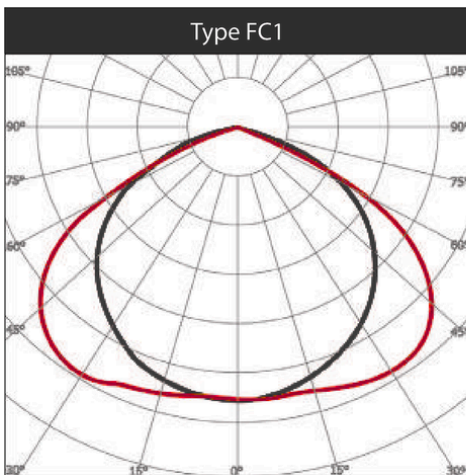
The version with pictogram can only be selected for the FC2 luminaire type

MOUNTING

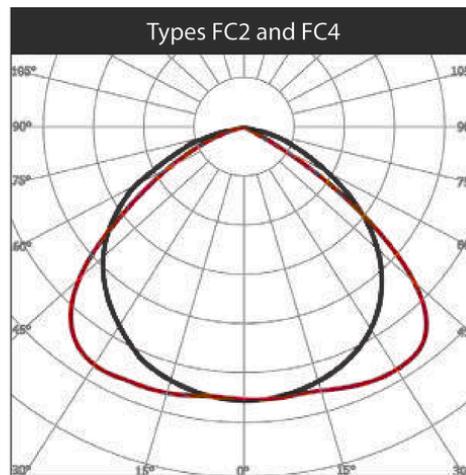




PHOTOMETRY



FWHM 0° - 180°: 126°
FWHM 90° - 270°: 113°



FWHM 0° - 180°: 122°
FWHM 90° - 270°: 114°