



Hazardous
Lighting Solutions LTD



EXL310LED

Explosionproof light fitting with LED modules.



PETROLEUM
REFINERIES



OFFSHORE



CHEMICAL



PASSAGEWAYS



MECHANICAL FEATURES

- Housing:** Powder coated stainless steel (NIRO)
- Diffuser:** UV stabilised polycarbonate (PC)
- Ingress protection:** IP66, IP67
- Protection class:** I
- Impact resistance:** IK10
- Mounting:** On the surface with connections

ELECTRICAL FEATURES

- Connection terminals:** 2.5 mm²
- Input voltage:**
 - 35E: 220–240V 50–60Hz, 220–240V
 - 34E: 220–240V 50–60Hz
- Light source:** Intrinsically safe LED modules
- Power factor:** 0.97
- Cable inlets:**
 - Ø20 (wire 6–13 mm)
 - Ø25 – optional (wire 9–17 mm)
- Overvoltage protection:**
 - 35E: 1kV (L–N), 2kV (L–PE), 4kV (L–N), 4kV (L–PE) – optional
 - 34E: 1kV (L–N), 2kV (L–PE)

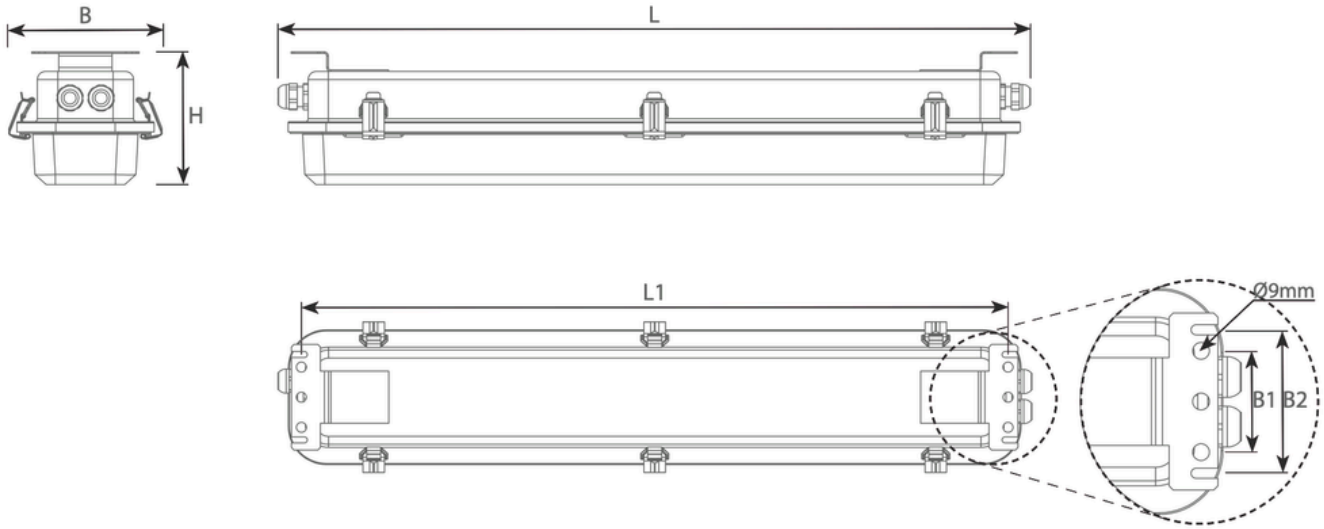
WORK PARAMETERS

- Ambient temperature:** -40°C to +50°C (check types comparison)
- Lifetime:** 70,000 h (L80 B10)
100,000 h (L70 B10)

PHOTOMETRICAL PARAMETERS

- CRI:** 80 / 90 – optional
- Colour temperature:** 4000K/ 5000K – optional 6500K – optional

DIMENSIONS



TYPE	L [mm]	L1 [mm]	B [mm]	B1 [mm]	B2 [mm]	H [mm]	Weight [kg]
EXL310LED-0600	730	704	150	60	85	134	~4.2
EXL310LED-1200	1340	1314	150	60	85	134	~7.2

TYPES COMPARISON

TYPE	LUMINOUS FLUX [lm]	POWER CONSUMPTION [W]	EFFICIENCY [lm/W]	WORK TEMP [°C]
EXL310LED-0600-E2	2611	17.4	150	-40 ÷ 50
EXL310LED-0600-E4	5051	33.4	151	-40 ÷ 50
EXL310LED-1200-E4	6105	40.4	151	-40 ÷ 50
EXL310LED-1200-E8	9872	65.7	150	-40 ÷ 50

MAXIMUM NUMBER OF FIXTURES CONNECTED IN LINE

MAXIMUM NUMBER OF LINE CONNECTED LUMINAIRES DEPENDING ON THE USED CIRCUIT BREAKERS

POWER SUPPLY	B16	C16	MAX. STARTING CURRENT	STARTING TIME
35E	12	21	54 A	< 125 μs
34E	12	21	64 A	< 125 μs

EMERGENCY VERSIONS



EMERGENCY POWER MODULE: VERSION WITH 3H EMERGENCY POWER MODULE. TEMPERATURES RANGE: 0°C ÷ 45°C.



EMERGENCY POWER MODULE: VERSION WITH 3H EMERGENCY POWER MODULE. TEMPERATURES RANGE: -20°C ÷ 45°C.



CENTRAL BATTERY: VERSION WITH A DRIVER FOR CENTRAL BATTERY

MEAN EMERGENCY LUMINOUS FLUX

TYPE	VERSION A3 [lm]	VERSION ZB [lm]
EXL310LED-0600-E2	834	1305
EXL310LED-0600-E4	805	2525
EXL310LED-1200-E4	811	3052
EXL310LED-1200-E8	790	4936

OPTIONAL VERSIONS

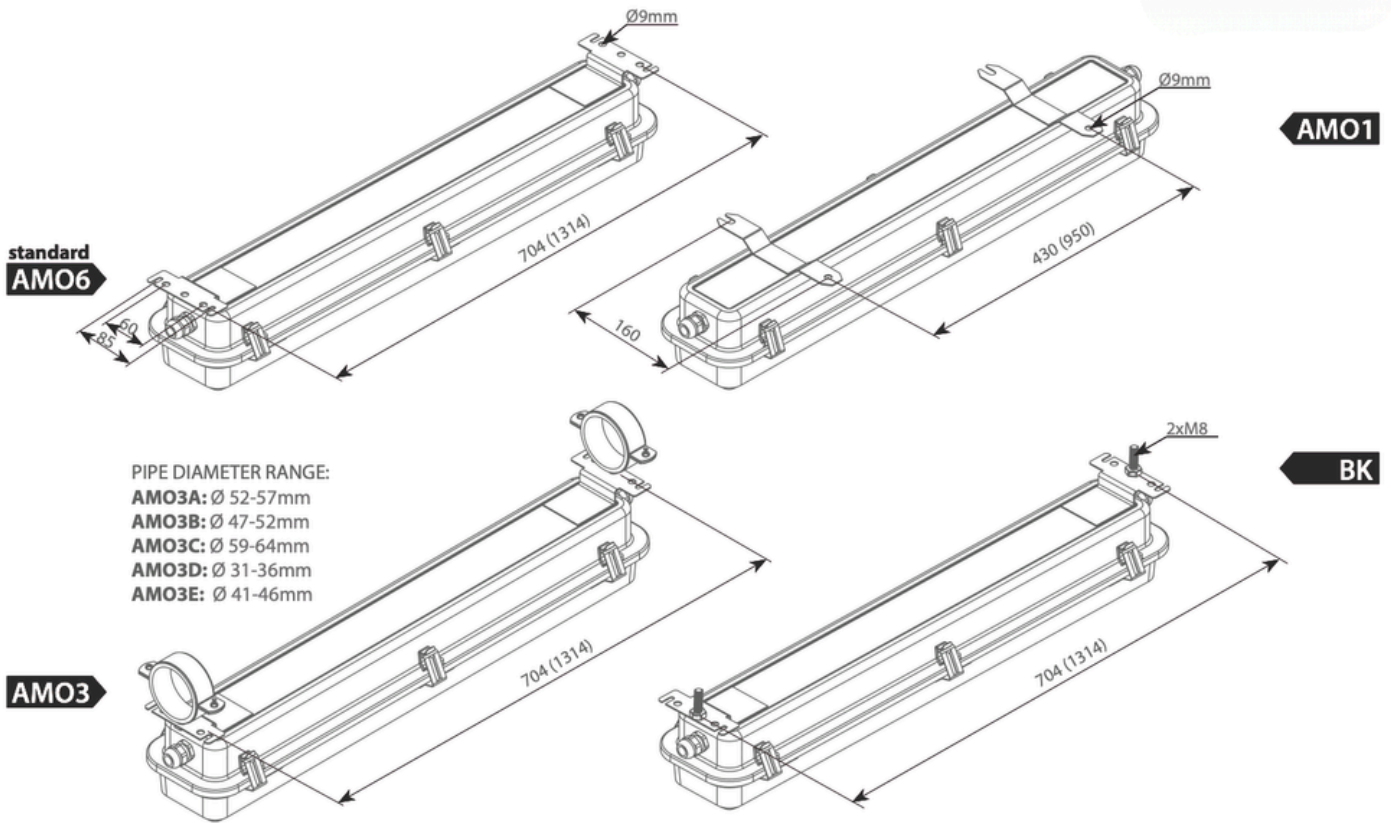
3F

EMERGENCY POWER MODULE: VERSION WITH TERMINALS L1, L2, L3, PE, N POWERED FROM L AND N WITH VOLTAGE OF 230V



DRIVER DALI-2: OPTIONAL VERSION WITH DALI-2 POWER SUPPLY

MOUNTINGS



PHOTOMETRY

