



Hazardous
Lighting Solutions LTD



HAZ-BULKHEAD SS



Designed for lighting and identifying emergency exits or escape routes in the event of danger.



PETROLEUM
REFINERIES



PETROLEUM
PONTOON LOADING



PASSAGEWAYS



CHEMICAL



PERIMETER
ZONE LIGHTING

CE 0722 Ex II 2GD - Ex db op is IIB+H2 T6 Gb - Ex tb op is IIIC T72°C Db IP 66

MECHANICAL FEATURES

Housing: Stainless steel AISI 316L

Gasket: Resistant to acid, hydrocarbon and high temperatures, positioned between the body and the lid.

Window: Tempered glass or polycarbonate

Glass: Tempered, resistant to high temperatures and shocks

Ingress protection: IP66

ELECTRICAL FEATURES

Connection terminals: 4mm²

Frequency: 50/60 Hz

Rated voltage: Normal operation only: 110-277 Vac / 156-277 Vdc

Emergency operation only: 110-240 Vac / 110-240 Vdc

Normal + emergency operation: 110-240 Vac / 156-240 Vdc

WORK PARAMETERS

Ambient Temperatures:

Normal: -30°C to + 55°C

With emergency: -20°C to +55°C

ADDITIONAL FEATURES

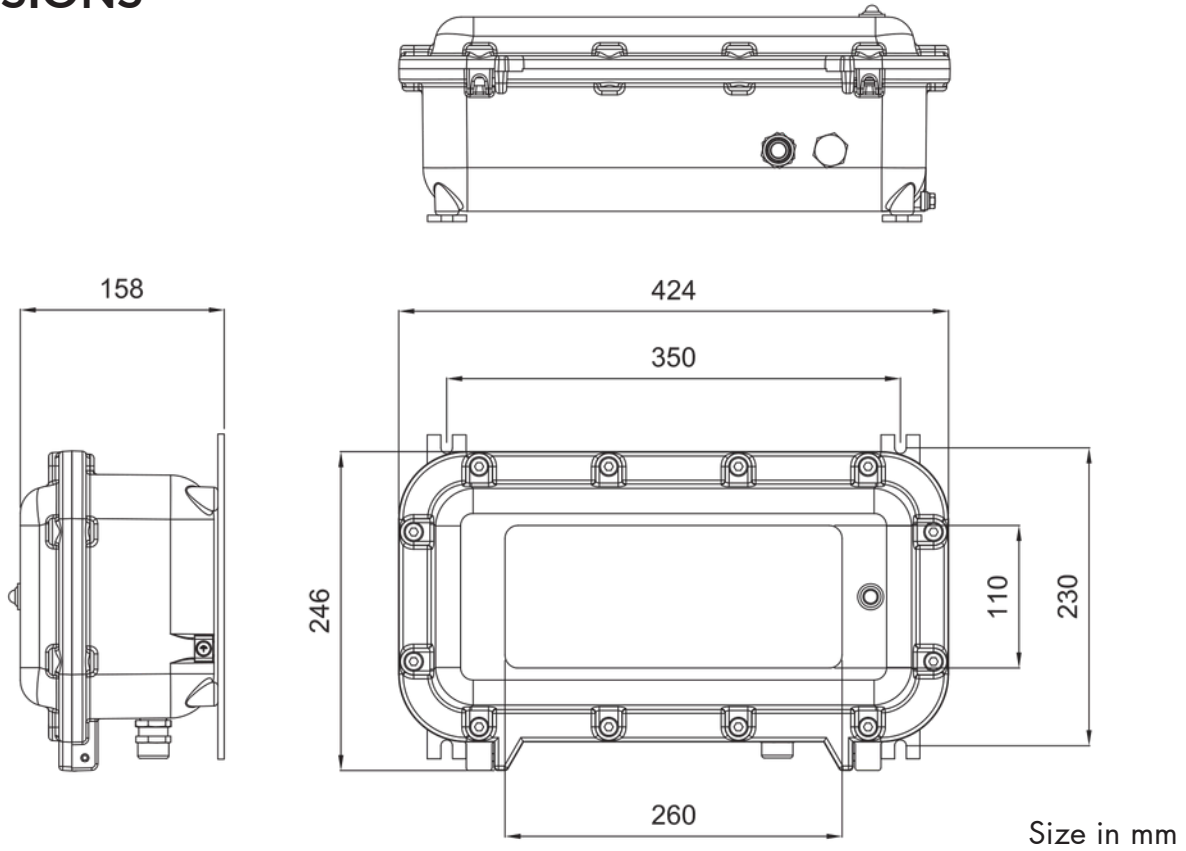
Autonomy in Emergency: 6 Hours

Accessories Upon Request: Additional

cable gland for in-out connection.

Pictogram with various words/lettering on request.

DIMENSIONS








Operation

empty = normal
E = emergency only
N = normal + emergency

Transparent material

empty = glass
P = polycarbonate

Pictogram

empty =  (EXIT)
/S =  (exit left)
/D =  (exit right)
/G =  (exit straight ahead)
/T =  (transparent)

INTERNAL VIEW

