



Hazardous
Lighting Solutions LTD



HAZ-FLOOD 2



High-performance LED floodlight delivering reliable, efficient, durable hazardous-area illumination



PETROLEUM
REFINERIES



ONSHORE



OFFSHORE



PETROLEUM
PONTOON LOADING



CHEMICAL

MECHANICAL FEATURES

Body: Low copper aluminium alloy with integrated cooling fins

Glass face: Tempered, shock and temperature resistant glass sealed with aluminium ring

Supporting bracket: Galvanised steel

Gaskets: Acid, hydrocarbon and high temperature resistant silicone

Fasteners: Stainless steel

Coating: Polyester coating RAL 7035 (light grey)

ELECTRICAL FEATURES

Input voltage: 110–277 Vac $\pm 10\%$

Frequency: 50–60 Hz $\pm 5\%$

Power consumption: 104 W – 190 W

Power factor: 0.95

THD: <10%

Connection: Terminal block L, N, PE (4 mm²), loop-in / loop-out

Rated current: 460 mA – 840 mA

WORK PARAMETERS

Ambient temperature: -60°C to +60°C (refer to selection table for exact limits)

Protection rating: IP66

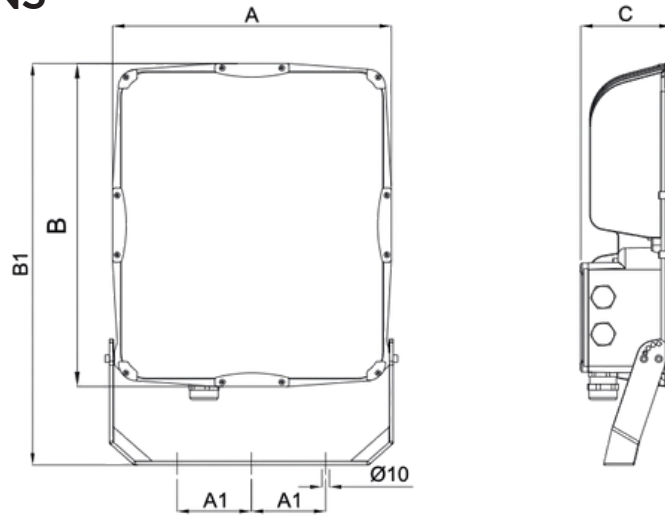
PHOTOMETRICAL PARAMETERS

Light source: Cree LED

Colour temperature: 5000 K (Cool White)

CRI: 70

TYPE COMPARISONS

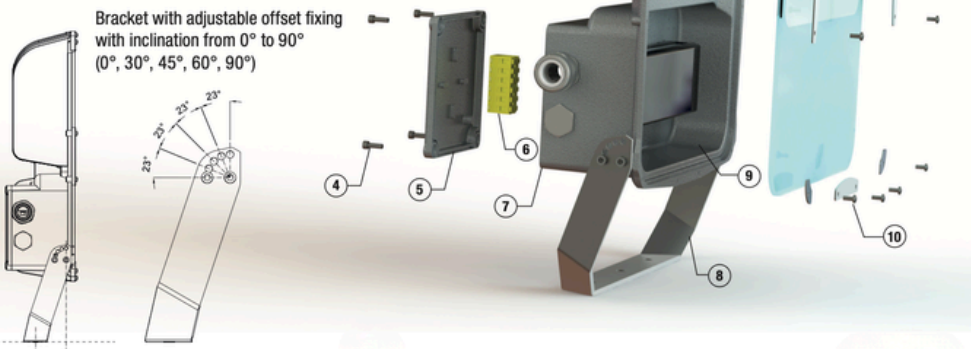


Code	A	B	B1	C	A1	Watt	TA=+40°C	TA=+50°C	TA=+55°C	TA=+60°C	Weight (kg)	Dimensions (mm)
HAZFLOOD 2-400100	315	304	395	121	70	104W	T6/81°C	T5/91°C	T5/96°C	T4/101°C	7	420×355×145
HAZFLOOD 2-400150	315	304	395	121	70	155W	T5/85°C	T5/95°C	T4/100°C	T4/105°C	7.8	420×355×145
HAZFLOOD 2-400200	315	304	395	121	70	190W	T5/85°C	T5/95°C	T4/100°C	T4/105°C	7.8	420×355×145
HAZFLOOD 2-600300	375	435	540	121	100	290W	T5/83°C	T5/93°C	T4/98°C	T4/103°C	13.6	565×425×167
HAZFLOOD 2-600400	375	435	540	121	100	394W	T5/91°C	T4/101°C	T4/110°C	T4/111°C	13.6	565×425×167
HAZFLOOD 2-600500	375	435	540	121	100	485W	T5/95°C	T4/105°C	T4/110°C	T4/115°C	15.6	565×425×167

Descriptions:

1. Painted body
2. Tempered glass
3. LED board
4. Stainless steel screws
5. Cover for "Ex e" housing
6. Terminals L, N, PE, Section max. 4 mm², suitable for loop-in, loop-out
7. 'Ex e' housing complete with connection terminals
8. Mounting bracket
9. 'Ex nR' housing complete with power supply
10. Brackets and screws in stainless steel for glass locking

Bracket with adjustable offset fixing with inclination from 0° to 90° (0°, 30°, 45°, 60°, 90°)



ELECTRICAL FEATURES

Parameter	HAZFLOOD 2-400100	HAZFLOOD 2-400150	HAZFLOOD 2-400200
Power supply	110-277 Vac \pm 10%	110-277 Vac \pm 10%	110-277 Vac \pm 10%
Rated frequency	50-60 Hz \pm 5%	50-60 Hz \pm 5%	50-60 Hz \pm 5%
Power consumption	104 W	155 W	190 W
Connection	Direct to terminal L, N, PE (4 mm ²), loop-in/loop-out		
Power factor	>0.95	>0.95	>0.95
Rated current	460 mA	690 mA	840 mA
EMC	EN 55015, EN 61547, IEC 61000-3-2, IEC 61000-3-3, IEC 61000-4 series		
THD	<10%	<10%	<10%
Over-voltage protection	4-6 kV	4-6 kV	4-6 kV
Driver protections	Over-voltage, Over-current, Short-circuit protection		
Dimming (on request)	0-10 V / PWM	0-10 V / PWM	0-10 V / PWM

PHOTOMETRIC FEATURES

Parameter	HAZFLOOD 2-400100	HAZFLOOD 2-400150	HAZFLOOD 2-400200
LED	Cree	Cree	Cree
Viewing angle	120°	120°	120°
Type	Cool White	Cool White	Cool White
Colour temperature	~5000 K	~5000 K	~5000 K
CRI	>70	>70	>70
Instant restrike	YES	YES	YES
L90	109,000 h	109,000 h	109,000 h
Lumen output	13,640 lm	20,353 lm	24,848 lm
Max light intensity	4,834 cd	7,208 cd	8,955 cd
Overall efficiency	131 lm/W	131 lm/W	130 lm/W

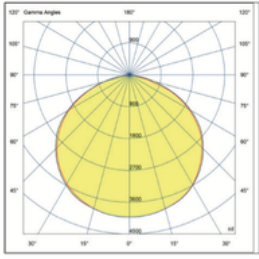
ELECTRICAL FEATURES

Parameter	HAZFLOOD 2-600300	HAZFLOOD 2-600400	HAZFLOOD 2-600500
Power supply	100-277 Vac \pm 10%	110-277 Vac \pm 10%	110-277 Vac \pm 10%
Rated frequency	50-60 Hz \pm 5%	50-60 Hz \pm 5%	50-60 Hz \pm 5%
Power consumption	290 W	394 W	485 W
Connection	Direct to terminal L, N, PE (4 mm ²), loop-in/loop-out		
Power factor	>0.95	>0.95	>0.95
Rated current	1300 mA	1740 mA	2130 mA
EMC	EN 55015, EN 61547, IEC 61000-3-2, IEC 61000-3-3, IEC 61000-4 series		
THD	<10%	<10%	<10%
Over-voltage protection	6 kV	4-6 kV	4-6 kV
Driver protections	Over-voltage, Over-current, Short-circuit protection		
Dimming (on request)	0-10 V / PWM	0-10 V / PWM	0-10 V / PWM

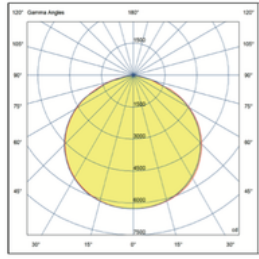
PHOTOMETRIC FEATURES

Parameter	HAZFLOOD 2-600300	HAZFLOOD 2-600400	HAZFLOOD 2-600500
LED	Cree	Cree	Cree
Viewing angle	120°	120°	120°
Type	Cool White	Cool White	Cool White
Colour temperature	~5000 K	~5000 K	~5000 K
CRI	>70	>70	>70
Instant restrike	YES	YES	YES
L90	109,000 h	109,000 h	109,000 h
Lumen output	44,807 lm	56,323 lm	64,751 lm
Max light intensity	15,858 cd	19,954 cd	22,936 cd
Overall efficiency	154 lm/W	143 lm/W	133 lm/W

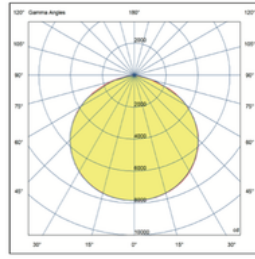
PHOTOMETRY



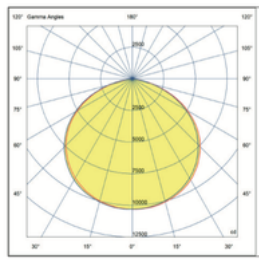
HAZFLOOD 2-400100
Luminous flux: 13640 lm



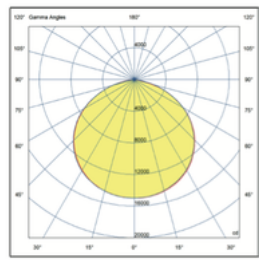
HAZFLOOD 2-400150
Luminous flux: 20353 lm



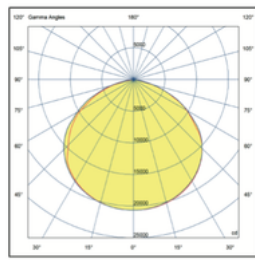
HAZFLOOD 2-400200
Luminous flux: 24848 lm



HAZFLOOD 2-600300
Luminous flux: 44807 lm



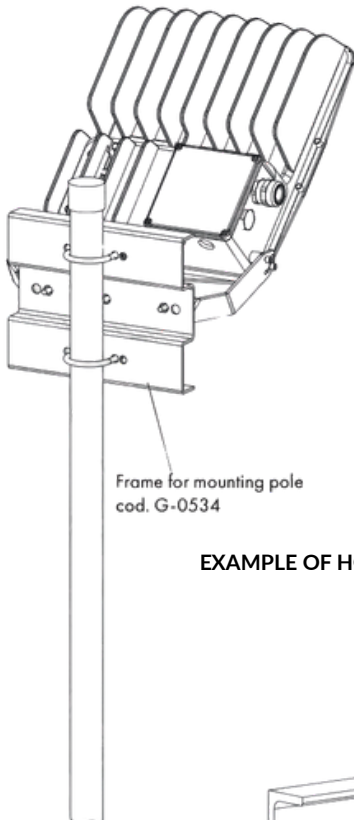
HAZFLOOD 2-600400
Luminous flux: 56323 lm



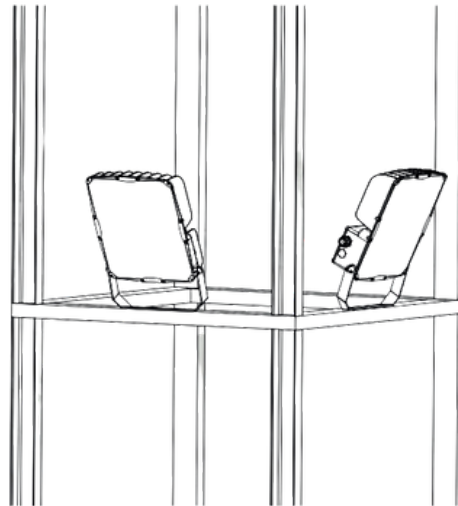
HAZFLOOD 2-600500
Luminous flux: 64751 lm

MOUNTING

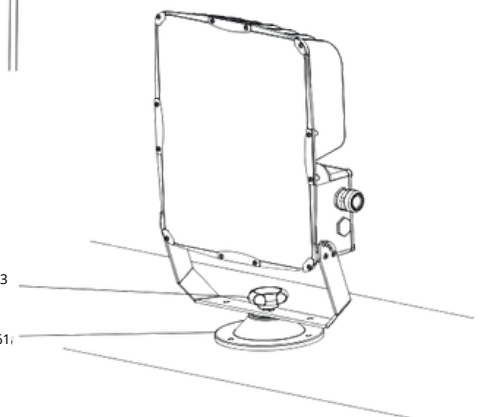
EXAMPLE OF POLE MOUNTING



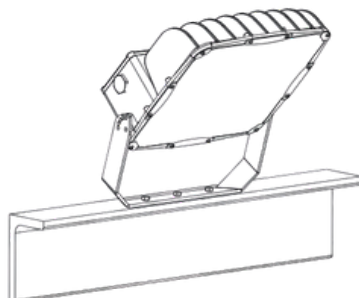
EXAMPLE OF VERTICAL MOUNTING ON STRUCTURE



EXAMPLE WITH BASE FOR SWIVEL FIXING



EXAMPLE OF HORIZONTAL MOUNTING ON STRUCTURE



ACCESSORIES/ SPARE PARTS

ILLUSTRATION	DESCRIPTION	MODEL	FEATURES	CODE
	Frame for pole mounting	For all models	Material: galvanised steel	G-0534
	Swivel base for 360° adjustment	HAZFLOOD 2-...	Material: aluminium RAL 7035 painted	G-153 + G-161
	Cable gland for nonarmored cables	HAZFLOOD 2-...	std. range cable 6.5 ÷ 14	NAV20IB
		HAZFLOOD 2-...	std. range cable 11 ÷ 20	NAV25IB
	Front glass	HAZFLOOD 2-400...	Material: tempered glass	G-1283
		HAZFLOOD 2-600...	Material: tempered glass	G-1275
	Supporting bracket	HAZFLOOD 2-400...	Material: galvanised steel	G-1282
		HAZFLOOD 2-600...	Material: galvanised steel	G-1276
	LED board	HAZFLOOD 2-400100	–	G-1373/2
		HAZFLOOD 2-400150	–	G-1373/2 (x2)
		HAZFLOOD 2-400200	–	G-1373/2 (x2)
		HAZFLOOD 2-600300	–	G-1371
		HAZFLOOD 2-600400	–	G-1371 (x2)
		HAZFLOOD 2-600500	–	G-1371 (x2)
	Power supply	HAZFLOOD 2-400100	110–277 Vac	LEDDEVL080/4/4
		HAZFLOOD 2-400150	110–277 Vac	LEDDEVL100/1/1
		HAZFLOOD 2-400200	110–277 Vac	LEDDEVL100/1/3
		HAZFLOOD 2-600300	100–277 Vac	LEDDSLED60/1-990MA
		HAZFLOOD 2-600400	110–277 Vac	LEDDEVL100/1/12 (X2)
		HAZFLOOD 2-600500	110–277 Vac	LEDDEVL100/1/2 (X2)