



Hazardous
Lighting Solutions LTD



RAD-SAFE LED 350W



Radiation hardened lighting. Reliable operation in temperatures ranging from -80°C to 115°C



MECHANICAL FEATURES

Housing: Die-cast aluminum
Lens: Quartz glass
Cable gland: Stainless steel
Colour: Black
Coating: C5M (standard) / Optional PVDF
Weight: 15.3kg (33.7lb)
IP protection: IP66

ELECTRICAL FEATURES

Voltage: 100VAC / 120VAC / 200VAC / 208VAC / 230VAC / 250VDC / 277VAC / 347VAC / 480VAC / 600VAC
Frequency: 50Hz / 60Hz
Wattage: 225W / 350W
Surge protection: >20kV
Power factor: >0.95
Inrush current: Zero inrush current (0 Amp)
Power cord: 600V / 200°C rated

WORK PARAMETERS

Ambient temperature: -80°C to 115°C
Lifetime: L70 15 years @55°C
L50 30 years @55°C
1 year @115°C
Warranty: 7-year warranty @65°C
3-year limited warranty @85°C
1-year limited warranty @105°C
Optional getter system: Extends lifetime to 3 years @105°C by absorbing residual oxygen, moisture, and gases

PHOTOMETRICAL PARAMETERS

Luminous flux (70°): 43,750 lm
Luminous flux (110°): 42,000 lm
Colour temperature: 4000K, 5000K
CRI: 70, 80, 90
Beam angle: 70° / 110°

LUMENS

Beam Angle	Lumens
70°	43,750 lm (5000K)
110°	42,000 lm

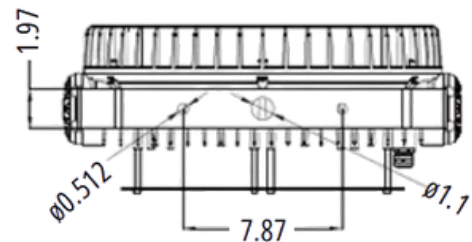
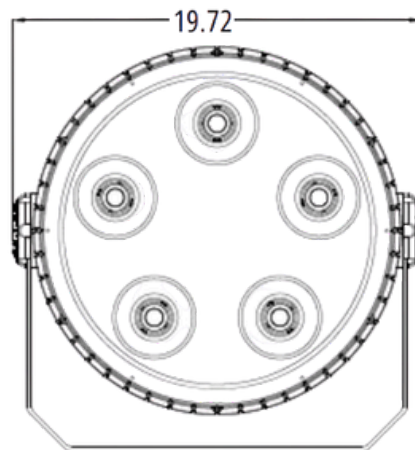
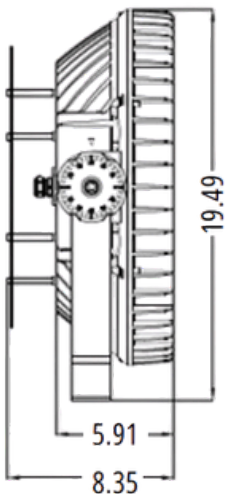
ORDERING INFORMATION

Series	Wattage	Colour Temperature	Voltage	Beam Angle	Coating	Fixture Colour
RAD-SAFE LED	350W	40 = 4000K 50 = 5000K	120V 277V 347V 480V 600V 250V	0 = 110° 1 = 70°	0 = PVDF 1 = C5M	0 = White 1 = Black

RADIATION TEST

Radiation Test	Specification
GAMMA dose speed	6.0 kGy/h
Total GAMMA dose	1000 kGy
Fast-neutron fluence	$\sim 4.46 \times 10^{14}$ n/cm ² , 1 MeV equivalent

DIMENSIONS

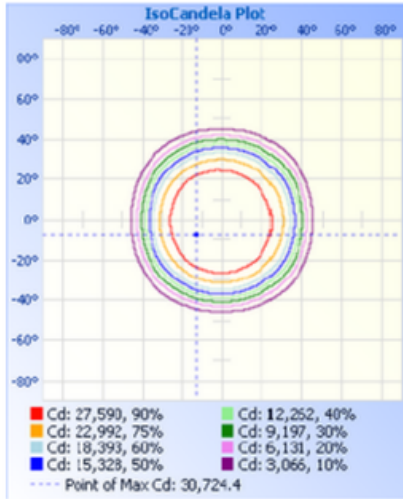


Weight : 15.3Kg(33.7lb) unit: inch

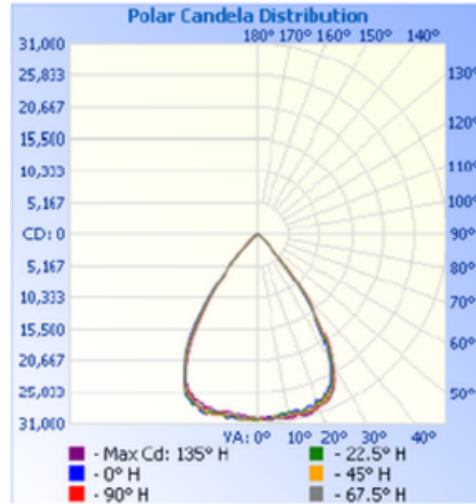
PHOTOMETRY

350W 70°

ISOCANDELA PLOT

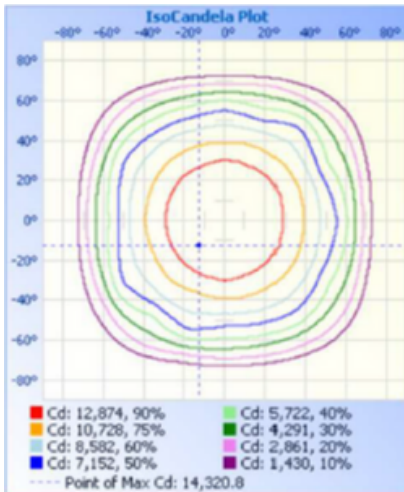


POLAR CANDELA DISTRIBUTION



350W 110°

ISOCANDELA PLOT



POLAR CANDELA DISTRIBUTION

