

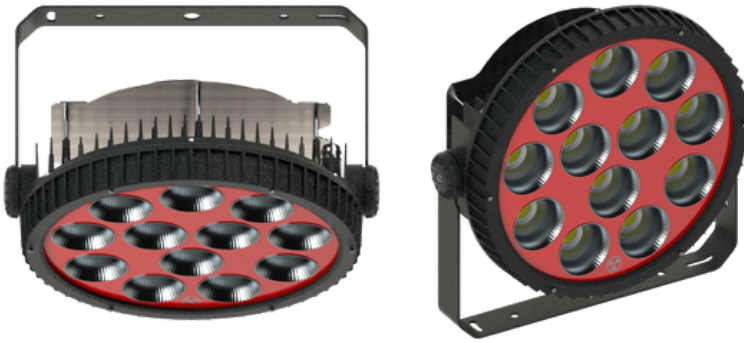


**Hazardous**  
Lighting Solutions LTD



# RAD-SAFE LED 500W

Radiation hardened lighting. Reliable operation in temperatures ranging from -80°C to 115°C



## MECHANICAL FEATURES

**Housing:** Die-cast aluminum  
**Lens:** Quartz glass  
**Cable gland:** Stainless steel  
**Colour:** Black  
**Coating:** C5M (standard) / Optional PVDF  
**Weight:** 24.2kg (53.4lb)  
**IP protection:** IP66

## ELECTRICAL FEATURES

**Voltage:** 100VAC / 120VAC / 200VAC / 208VAC / 230VAC / 250VDC / 277VAC / 347VAC / 480VAC / 600VAC  
**Frequency:** 50Hz / 60Hz  
**Wattage:** 500W  
**Surge protection:** >20kV  
**Power factor:** >0.95  
**Inrush current:** Zero inrush current (0 Amp)  
**Power cord:** 600V / 200°C rated

## WORK PARAMETERS

**Ambient temperature:** -80°C to 115°C  
**Lifetime:** L70 15 years @55°C  
L50 30 years @55°C  
1 year @115°C  
**Warranty:** 7-year @65°C max  
3-year @85°C max  
1-year @105°C max

## PHOTOMETRICAL PARAMETERS

**Luminous flux:** 62,500 lm  
**Colour temperature:** 4000K, 5000K  
**CRI:** 70, 80, 90  
**Beam angle:** 70°

## LUMENS

Beam Angle	Lumen Output
70°	62,500 lm (5000K)

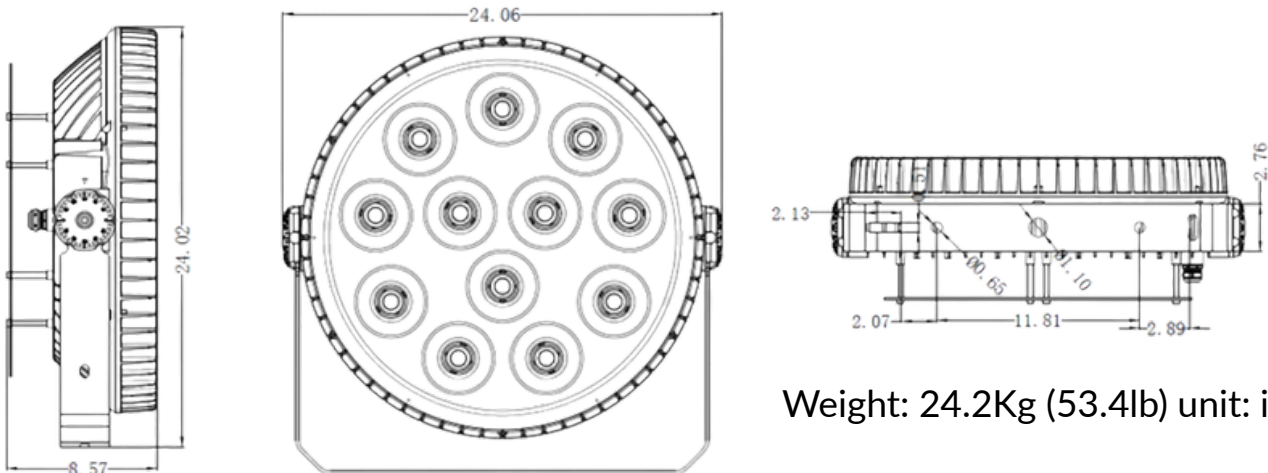
## ORDERING INFORMATION

Series	Wattage	Colour Temperature	Voltage	Beam Angle	Coating	Fixture Colour
RAD-SAFE LED	500W	40 = 4000K 50 = 5000K	120V 277V 347V 480V 600V 250V	0 = 110° 1 = 70°	0 = PVDF 1 = C5M	0 = White 1 = Black

## RADIATION TEST

Radiation Test	Specification
GAMMA dose speed	6.0 kGy/h
Total GAMMA dose	1000 kGy
Fast-neutron fluence	~4.46 × 10 <sup>14</sup> n/cm <sup>2</sup> , 1 MeV equivalent

## DIMENSIONS

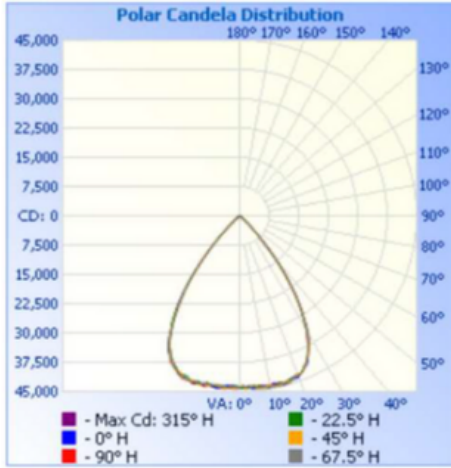


Weight: 24.2Kg (53.4lb) unit: inch

## PHOTOMETRY

500W 70°

POLAR CANDELA DISTRIBUTION



ISOCANDELA PLOT

