

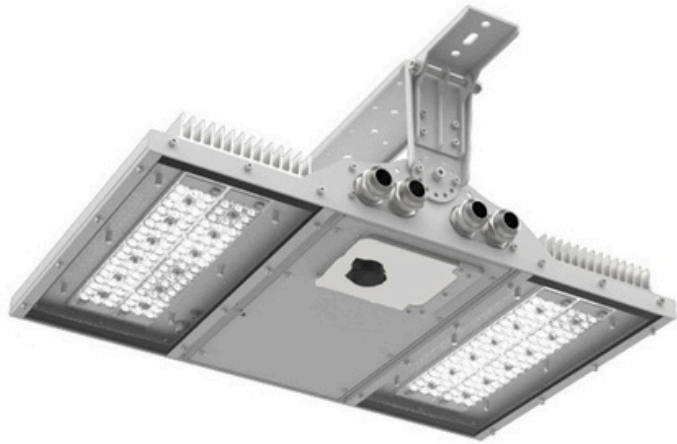


Hazardous
Lighting Solutions LTD



TNL440LED

Industrial floodlight dedicated to the tunnels with LED modules



CERTIFICATE: EN-60658-2-22 **CERTIFICATE:** CNBOP no. 5729/2025

MECHANICAL FEATURES

- Housing:** Stainless steel
- Diffuser:** Tempered glass
- Ingress protection:** IP66
- Protection class:** I
- Radiators:** Aluminium
- Access:** using a key

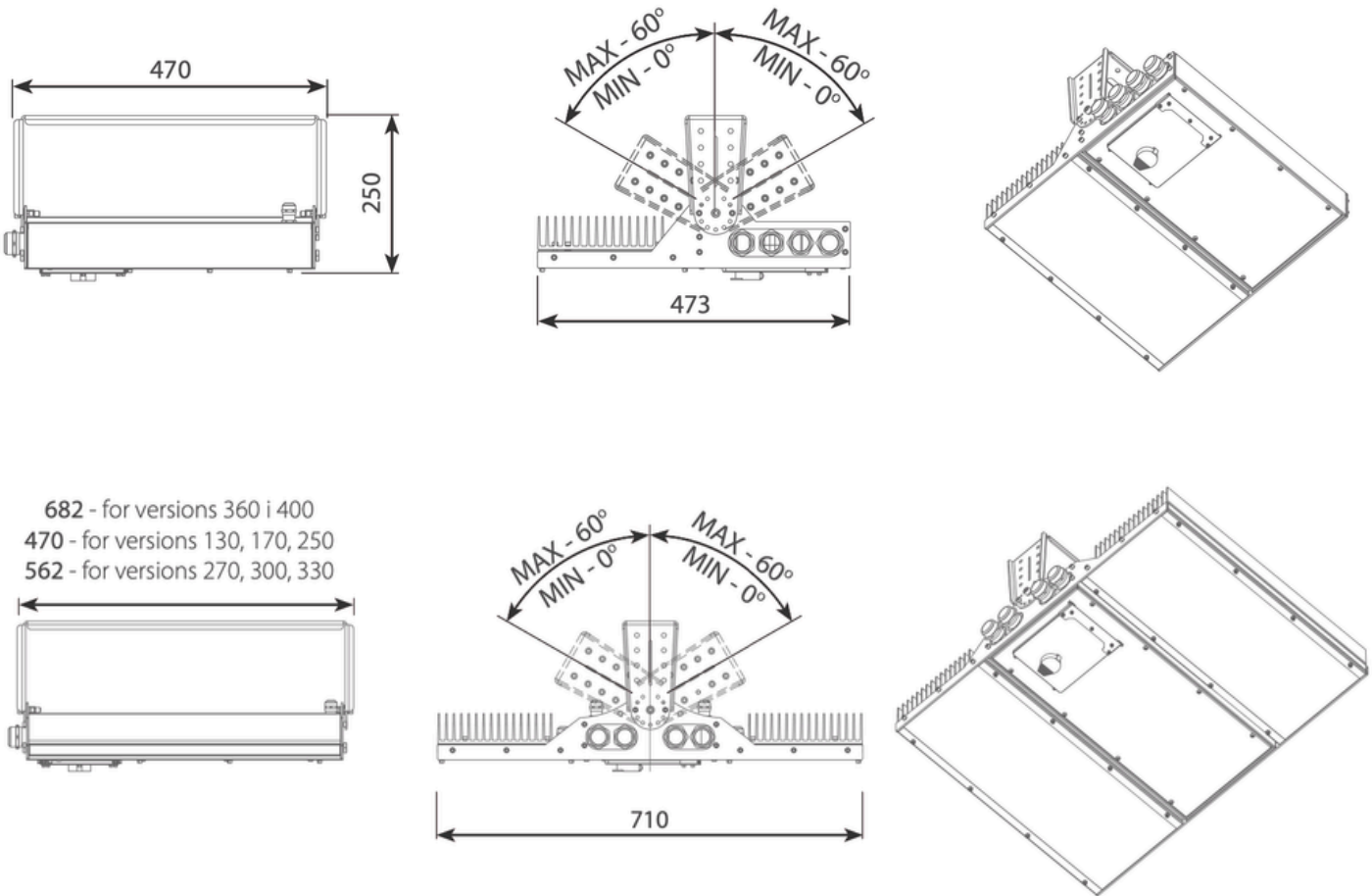
ELECTRICAL FEATURES

- Source of light:** LED modules
- Voltage:** 202-254V 50-6-Hz | 186-250V 0Hz
- Connection terminals:** 7 x 10mm²
- Overvoltage protection:** 6 kV
- Control system:** integrated DALI driver

WORK PARAMETERS

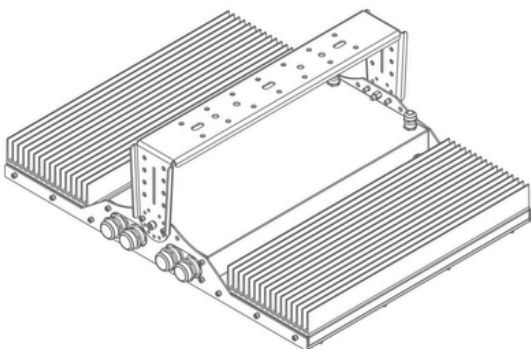
- Ambient Temperatures:** -40°C to + 60°C
- Lifetime:** 100.000h L80B10

DIMENSIONS

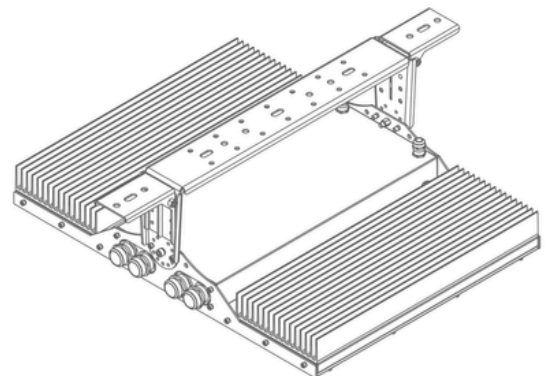


MOUNTING

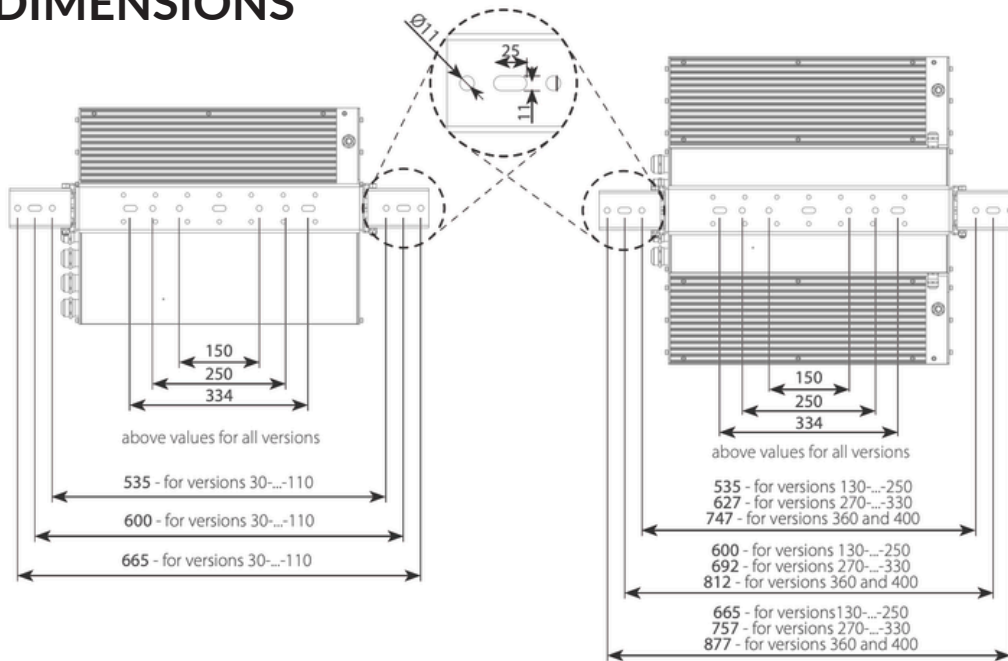
STANDARD BRACKET



OPTIONAL BRACKET WITH SUPPORT



DIMENSIONS

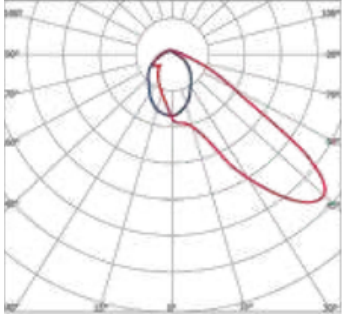


TYPE COMPARISONS

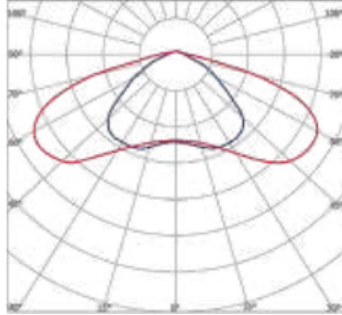
TYPE OF THE FITTING	LUMINOUS FLUX [lm]	POWER CONSUMP. [W]	EFFICIENCY [lm/W]	MAX AMBIENT TEMP. [°C]
TNL440LED-030-HB4	5340	311	172	55
TNL440LED-040-HB4	7382	423	175	50
TNL440LED-050-HB4	8618	492	175	50
TNL440LED-070-HB4	11203	644	174	45
TNL440LED-090-HB4	14459	845	171	50
TNL440LED-110-HB4	17906	1,075	167	45
TNL440LED-130-HB8	20900	1,215	172	50
TNL440LED-170-HB8	25447	1,492	171	50
TNL440LED-250-HB8	32821	2,015	163	45
TNL440LED-270-HA8	40871	2,390	171	50
TNL440LED-300-HA8	47465	2,855	166	50
TNL440LED-330-HA8	54263	3,370	161	45
TNL440LED-360-HA10	58311	3,502	167	45
TNL440LED-400-HA10	64062	3,976	161	40

PHOTOMETRY

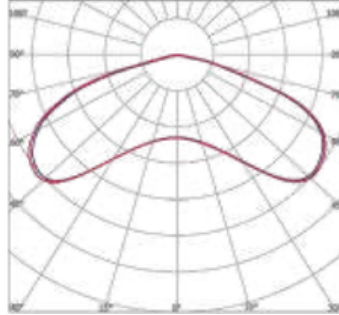
ASYMETRICAL (ASY)



SYMETRICAL (SYM)



SQUARE (SB)



WIDE (WB)

